



## Features

- 1.27 mm pitch
- Precious metal contacts
- Twin hot contacts (symmetrical pad layout)
- Pick & place compatible
- High cycle life
- RoHS compliant\* - see [processing information](#) on lead free modular contacts

- For applications/processing guidelines, [click here](#)

## 70AB/Male - Modular Contact

### Materials & Finishes

Insulator....Glass reinforced thermoplastic, UL 94V-0 rated, black  
 Contact.....Copper alloy  
 Finish  
 Underplating .....Nickel  
 Contact Area.....Gold

### Operating Characteristics

Electrical  
 Current Rating.....3 A/contact  
 Voltage Rating.....60 V  
 Contact Resistance ...25 milliohms max.  
 Dielectric Voltage .....AC 500 V  
 Insulating Resistance ..1000 Mohms min.  
 Operating Temperature  
 .....-55 °C to +125 °C

Mechanical  
 Normal Force/Finger .....40 grams min.  
 Durability.....5,000 cycles min.

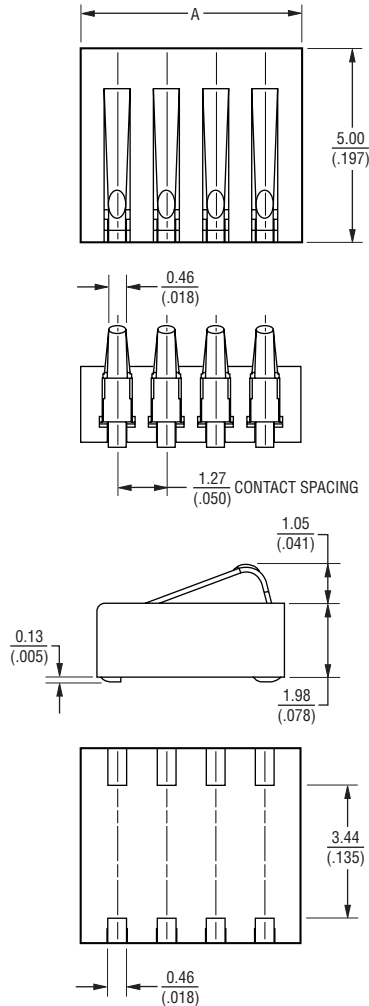
### How to Order

**70AB J - 4 - M 0 E**

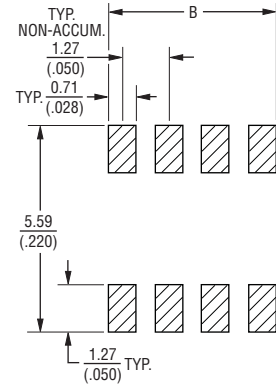
Model \_\_\_\_\_  
 Terminal Style \_\_\_\_\_  
 Number of Contacts (N) \_\_\_\_\_  
 2, 3 or 4  
 Gender  
 M = Male  
 Options \_\_\_\_\_  
 0 = Standard  
 Packaging Option \_\_\_\_\_  
 E = Embossed Tape (500 pcs. per reel)

### Product Dimensions

#### 70ABJ



### Recommended PWB Layout



Number of Contacts	Dimension B
2	$\frac{4.52}{(.178)}$
3	$\frac{5.79}{(.288)}$
4	$\frac{7.06}{(.278)}$

TOLERANCES:  $\pm 0.25$  UNLESS OTHERWISE NOTED  
 ( $\pm 0.010$ )

DIMENSIONS:  $\frac{MM}{(INCHES)}$

Number of Contacts	Dimension A
2	$\frac{3.12}{(.123)}$
3	$\frac{4.39}{(.173)}$
4	$\frac{5.66}{(.223)}$

\*RoHS Directive 2002/95/EC Jan 27 2003 including Annex.  
 Specifications are subject to change without notice.  
 Customers should verify actual device performance in their specific applications.

