



BOURNS®

Features

- Rechargeable battery-pack applications
- Precious metal contacts
- Tape & reel available

70AD/Female - Modular Contact

Materials & Finishes

InsulatorGlass reinforced thermoplastic,
UL 94V-0 rated, black
ContactCopper alloy
Finish
Underplating.....Nickel
Contact Area30μ Au over nickel
TerminationTin alloy
(meets MIL-STD-202, method 208)

Operating Characteristics

Electrical
Current RatingDC 3A/contact
Contact Resistance25mΩ max.
Dielectric VoltageAC 500V
Insulating Resistance500MΩ min.
Operating Temperature-55°C to 125°C
Mechanical
Durability5,000 cycles

Consult factory for increased durability.

HOW TO ORDER

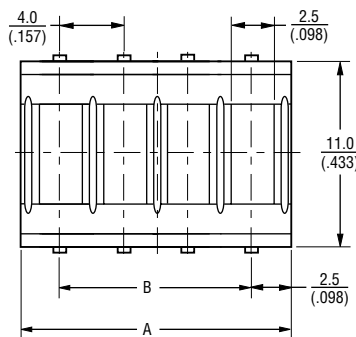
70AD J - 003 - F L 0

Model _____
Terminal Style _____
J = SMT
H = Through-hole
Number of Contacts _____
002 through 006
Gender _____
M = Male
F = Female
Height _____
L = Low Profile
Options _____
0 = Standard
1 = Locator Pins

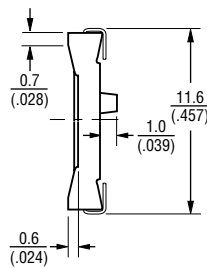
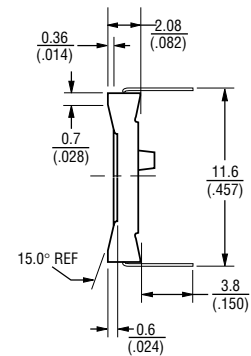
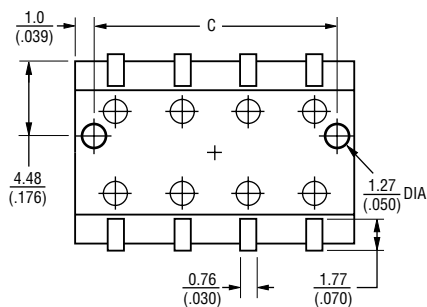
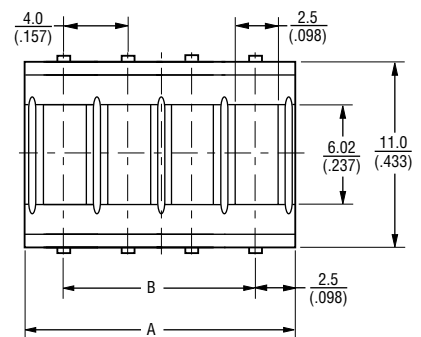
| Number of Contacts | Dim. A | Dim. B | Dim. C |
|--------------------|----------------|----------------|----------------|
| 2 | 9.0 (.354) | 4.0 (.157) | 7.0 (.276) |
| 3 | 13.0 (.512) | 8.0 (.315) | 11.0 (.433) |
| 4 | 17.0 (.669) | 12.0 (.472) | 15.0 (.591) |
| 5 | 21.0 (.827) | 16.0 (.630) | 19.0 (.748) |
| 6 | 25.0 (.984) | 20.0 (.787) | 23.0 (.906) |

Product Dimensions

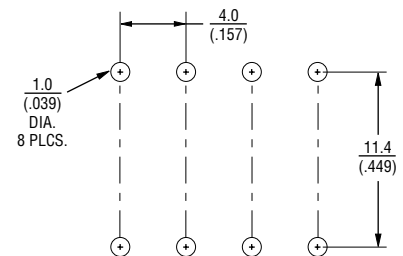
70ADJ



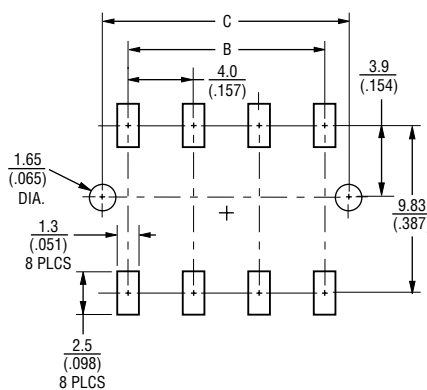
70ADH



RECOMMENDED PWB MOUNTING PATTERN



RECOMMENDED PWB MOUNTING PATTERN



DIMENSIONS ARE: METRIC
(INCHES)