

## Features

- Low profile
- Rugged design
- Vertical or horizontal entry
- Tape & reel packaging available
- RoHS compliant\* - see [processing information](#) on RoHS compliant surface mount components
- For applications/processing guidelines, [click here](#)

# 70AD/Male - Modular Contact

## Materials & Finishes

Insulator.....Glass reinforced thermoplastic, UL 94V-0 rated, black  
 Contact.....Copper alloy  
 Finish  
 Underplating .....Nickel  
 Contact Area.....Gold  
 Termination .....Tin alloy (meets MIL-STD-202, method 208)

## Operating Characteristics

**Electrical**  
 Current Rating.....DC 3 A/contact  
 Voltage Rating.....DC 30 V  
 Contact Resistance .....25 mΩ max.  
 Dielectric Voltage.....AC 500 V  
 Insulating Resistance.....500 MΩ min.  
 Operating Temperature .....-55 °C to 125 °C

**Mechanical**  
 Vibration.....10-55 Hz, 0.06 inches D.A.  
 Shock.....50 G, 11 ms  
 Normal Force .....100 grams min. at a working height of 0.51 mm (0.020 in.)  
 Durability.....5,000 cycles

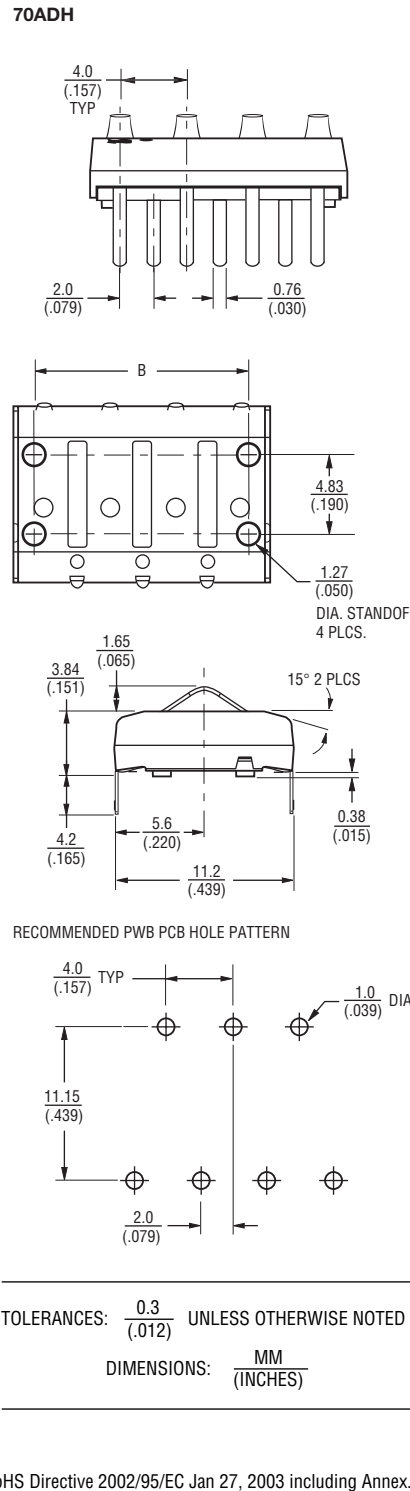
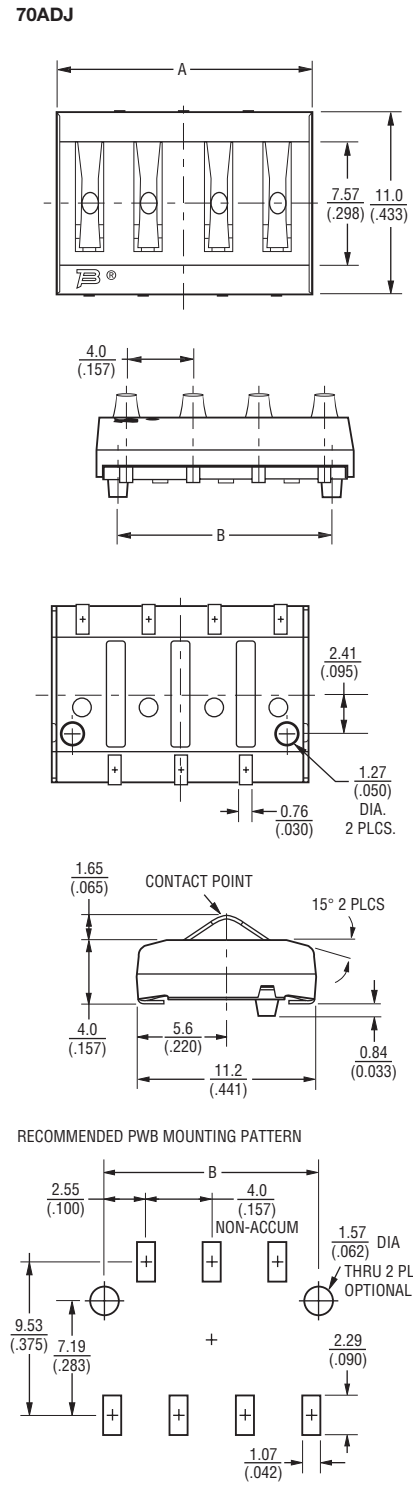
## How to Order

**70AD J - 3 - M L 0 G**

Model \_\_\_\_\_  
 Terminal Style \_\_\_\_\_  
 J = SMT  
 H = Through-hole  
 Number of Contacts \_\_\_\_\_  
 2 through 6  
 Gender \_\_\_\_\_  
 M = Male  
 Height \_\_\_\_\_  
 L = Low Profile  
 Options \_\_\_\_\_  
 0 = Standard  
 1 = Locator Pins (J style only)  
 Packaging Option \_\_\_\_\_  
 \_ = Tube (240/N pcs. or 240 contacts per tube)  
 G = Embossed Tape (500 pcs. per reel)

Number of Contacts	Dimension A	Dimension B
2	7.7 (.303)	5.11 (.201)
3	11.7 (.461)	9.11 (.359)
4	15.7 (.618)	13.11 (.516)
5	19.7 (.776)	17.11 (.674)
6	23.7 (.933)	21.11 (.831)

## Product Dimensions



\*RoHS Directive 2002/95/EC Jan 27, 2003 including Annex. Specifications are subject to change without notice. Customers should verify actual device performance in their specific applications.