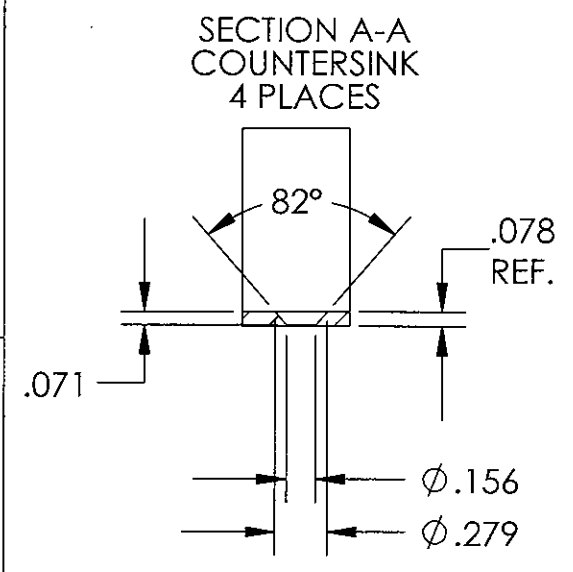
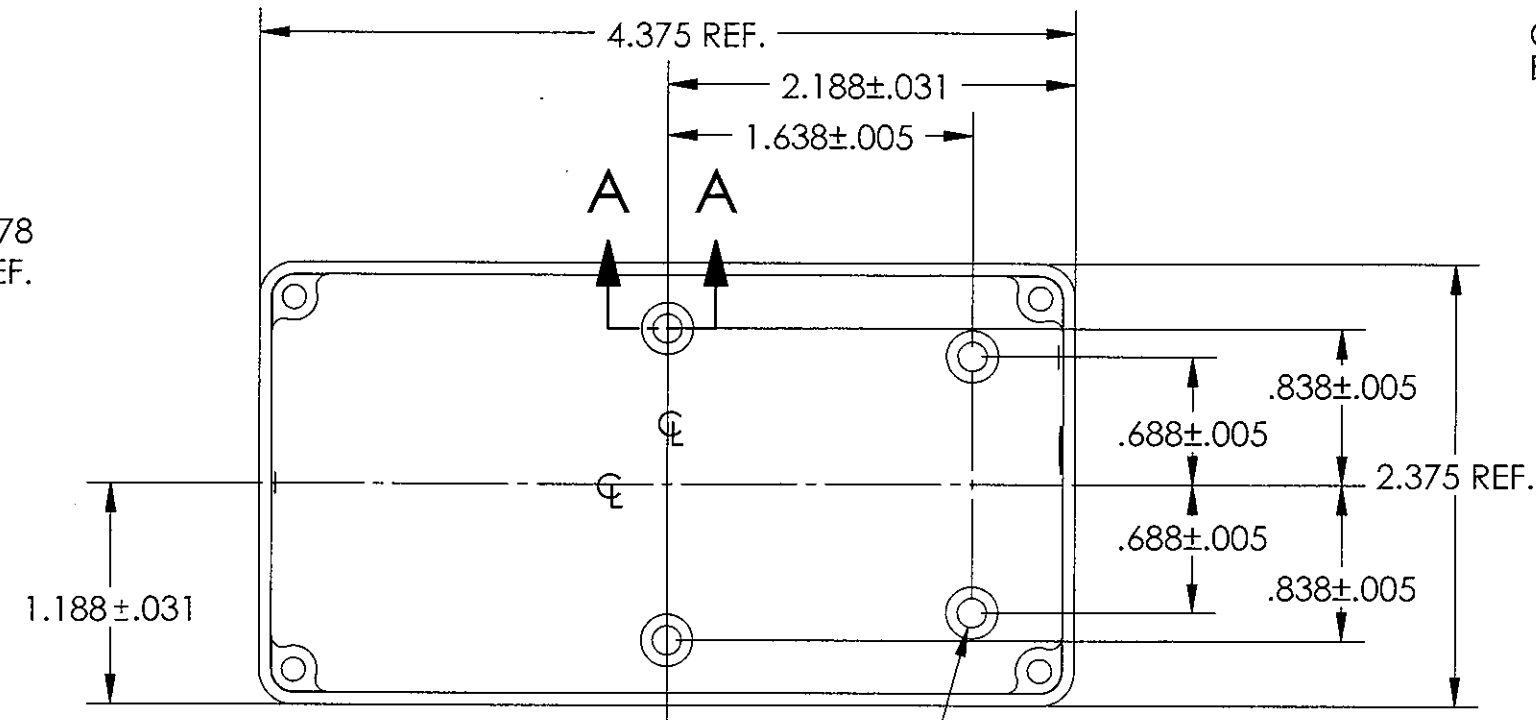
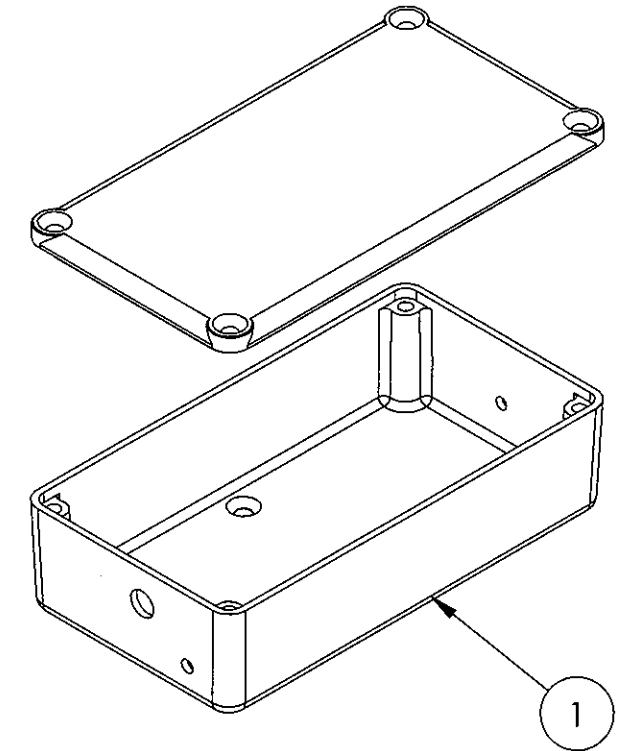


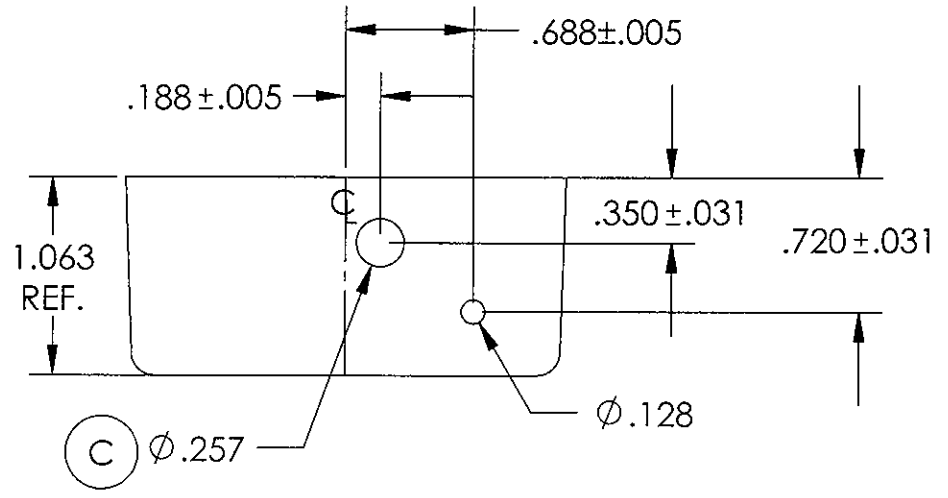
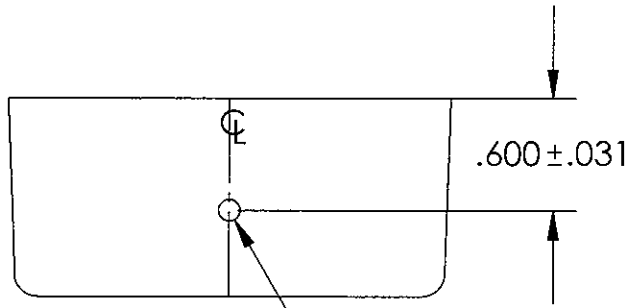
THE INFORMATION CONTAINED IN THIS DRAWING IS THE SOLE PROPERTY OF
 BUD INDUSTRIES INC. ANY REPRODUCTION IN PART OR WHOLE WITHOUT
 THE WRITTEN PERMISSION OF BUD INDUSTRIES INC. IS PROHIBITED.

DWG. NO.		48210
ISSUE	REVISIONS	
©	CUST. CHANGES PER ECN 10842 11-9-12 SS	

COVER SHOWN IN
EXPLODED VIEW ONLY



⊙ THE ENCLOSURE (4X) FOR #6 FLATHEAD
 (COUNTERSINKS ARE ON THE INSIDE
 OF THE ENCLOSURE)



MATERIAL: BODY & COVER - #ADC-12 ALUMINUM
 FINISH: #1895-P "EBL" SMOOTH BLACK POWDERCOAT

CUST: DIGI-KEY CORPORATION

THIS IS A CU-124 MODIFIED WITH EXTRA HOLES

1	1	CU-124	ECONOBOX
ITEM NO.	QTY.	PART NO.	DESCRIPTION
PARTS LIST			
TOLERANCES: +/- .005 BETWEEN HOLE CENTERS +/- .015 FROM SHEARED EDGE +/- .032 FROM A BENT SURFACE +/- .062 BETWEEN ASSEMBLED SURFACES UNLESS OTHERWISE SPECIFIED		CAD GENERATED DRAWING. DO NOT MANUALLY UPDATE	
MATERIAL: AS NOTED		APPROVALS DRAWN CZ	DATE 11-10-10
FINISH AS NOTED		CHECKED	
DO NOT SCALE DRAWING		APPROVED	
BUD INDUSTRIES INC.			ECONOBOX
SIZE B	DWG. NO. 48210	REV. C	
SCALE	CAD FILE:	SHEET OF 1	

QTY.	USED ON