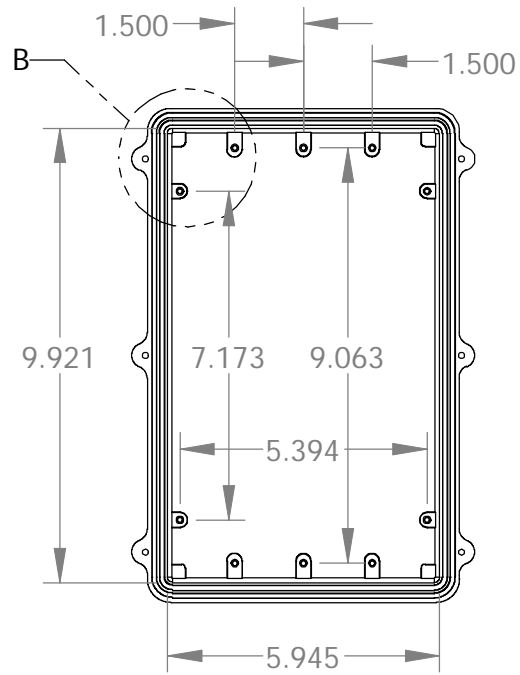
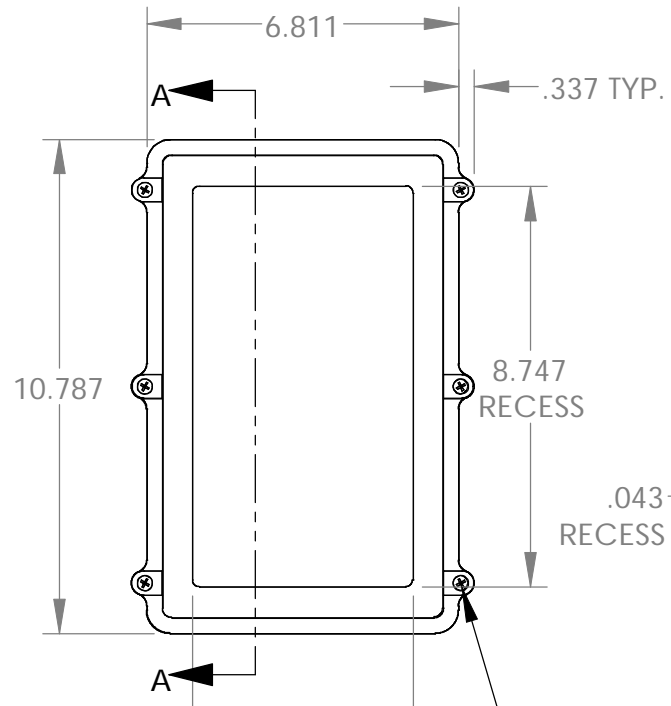


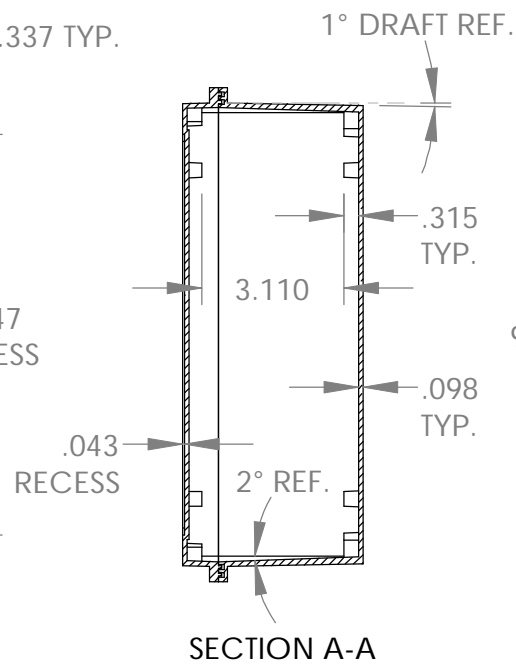
PART NAME	NEMA DIE CAST BOX WITH EMI/RFI SHIELDING	PART No.	ANS-3811 ANS-3811-B	REVISION DATE	-
-----------	--	----------	------------------------	---------------	---



INSIDE BODY DETAILS

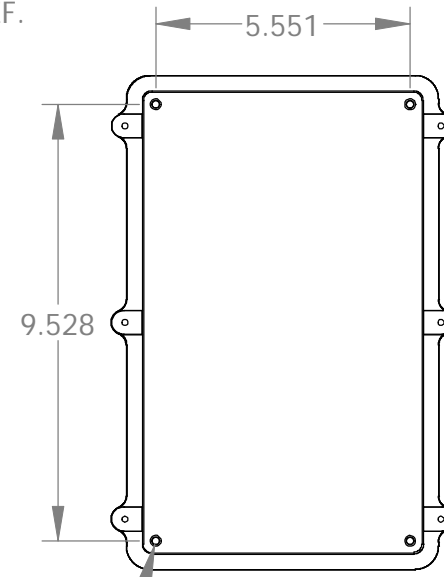


TOP VIEW



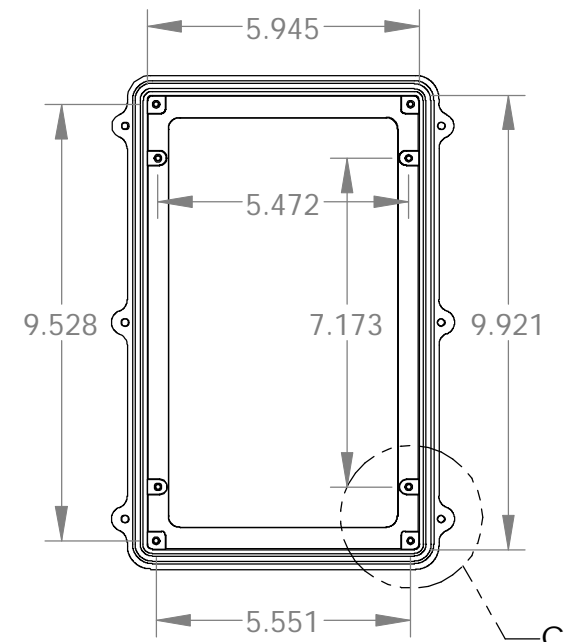
SECTION A-A

SIX (6) M4 x 20mm (.787") LG. STAINLESS STEEL CAPTIVE SCREWS

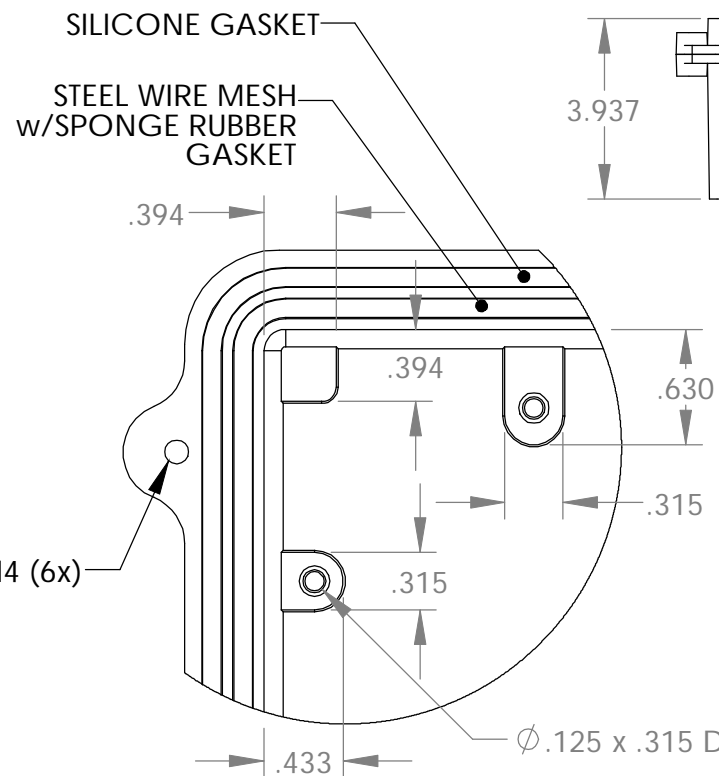


BOTTOM VIEW

Ø.175 x .315 DEEP (4x)
ACCEPTS M5 x 10mm (.394") LG. SELF-TAPPING SCREWS (NOT SUPPLIED)

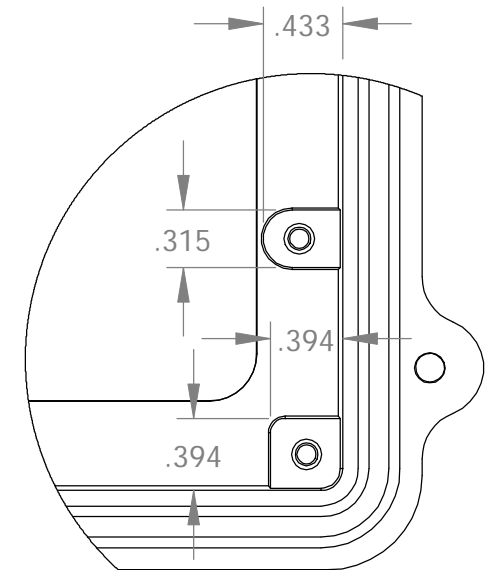
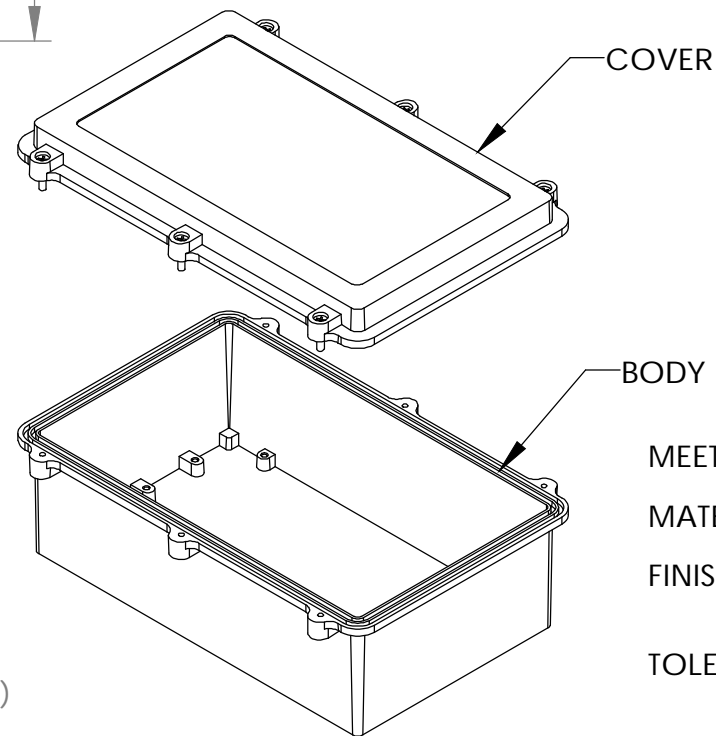
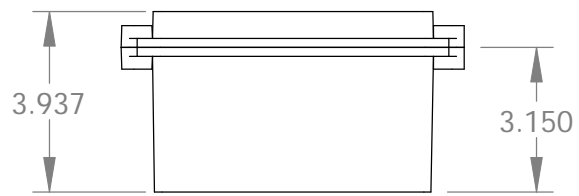


INSIDE COVER DETAILS



DETAIL B
SCALE 4 : 1

Ø.125 x .315 DEEP (10x) IN BODY (8x) IN COVER
ACCEPTS M3.5 x 6mm (.236") LG. SELF-TAPPING SCREWS (NOT SUPPLIED)



DETAIL C
SCALE 4 : 1

MEETS NEMA 1, 2, 4, 4X, 12, 13 AND IP65 RATINGS

MATERIAL - ALUMINUM ALLOY ADC-12

FINISH - NATURAL (NO SUFFIX PART NO.)
- SMOOTH BLACK (-B SUFFIX PART NO.)

TOLERANCES: ALL HOLE DIAMETERS ±.005
ALL OTHER DIMENSIONS ±.015