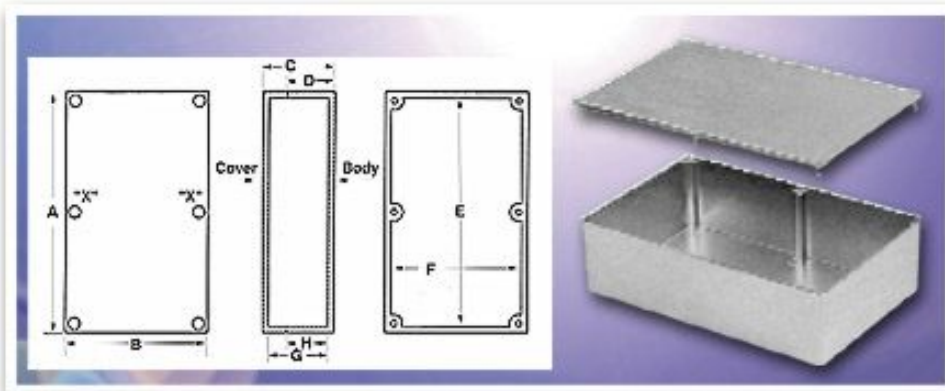


Diecast Aluminum **Econobox**



Click on Image for Larger View

Design Features

Bud offers fifteen box sizes, each with a close fitting flanged cover fastened to bosses in the body with screws. This plus the thickness of the #ADC-10 aluminum alloy, offers excellent screening properties. These lightweight, easy to machine enclosures have a number of uses: instrument and meter cases, filter networks, junction bosses, switching and many other applications requiring a small box. In addition, they're ideal for concealed or other interior use where a safety closure is necessary.

Available in both natural finish and gray painted finish
(add -G suffix to part number for gray paint)

Econobox											
Catalog No.	Drawings	A	B	C	D	E	F	G	H	Thickness	Lbs.
CU-123	PDF DXF	3.62"	1.50"	1.21"	1.06"	3.30"	1.18"	1.09"	1.00"	0.06"	0.50
CU-124	PDF DXF	4.37"	2.37"	1.21"	1.06"	4.05"	2.05"	1.09"	1.00"	0.06"	0.50
CU-234	PDF DXF	4.68"	3.68"	2.21"	2.06"	4.24"	3.24"	2.09"	2.00"	0.09"	0.75
CU-247	PDF DXF	7.39"	4.70"	2.21"	2.06"	7.08"	4.33"	2.09"	2.00"	0.09"	1.25
CU-347	PDF DXF	7.39"	4.70"	3.21"	3.06"	7.08"	4.33"	3.09"	3.00"	0.09"	1.50
CU-470	PDF DXF	2.00"	2.00"	1.25"	1.09"	1.80"	1.80"	1.10"	1.01"	0.06"	0.25
CU-471	PDF DXF	4.33"	3.25"	1.75"	1.59"	4.08"	3.00"	1.60"	1.51"	0.09"	0.75

CU-472	PDF	DXF	4.75"	3.15"	2.33"	2.17"	4.43"	2.83"	2.18"	2.09"	0.09"	0.75
CU-473	PDF	DXF	4.68"	3.68"	1.34"	1.18"	4.43"	3.43"	1.19"	1.10"	0.09"	0.75
CU-474	PDF	DXF	4.75"	4.75"	2.33"	3.17"	4.43"	4.43"	2.18"	2.09"	0.09"	1.00
CU-475	PDF	DXF	4.75"	4.75"	3.75"	3.59"	4.30"	4.30"	3.60"	3.51"	0.09"	1.25
CU-476	PDF	DXF	6.00"	3.25"	2.00"	1.84"	5.68"	2.93"	1.85"	1.76"	0.09"	1.00
CU-477	PDF	DXF	7.39"	4.70"	1.50"	1.34"	7.14"	4.45"	1.35"	1.16"	0.09"	1.00
CU-478	PDF	DXF	7.50"	7.50"	2.62"	2.46"	7.18"	7.18"	2.47"	2.38"	0.09"	2.00
CU-479	PDF	DXF	4.37"	3.37"	2.13"	1.98"	4.05"	3.05"	1.98"	1.90"	0.06"	0.60

[DXF](#) Autocad DXF Specifications File
(Requires CAD software such as AutoCAD)

[PDF](#) Adobe PDF Specifications File



[Download PDF Viewer](#)

[Home](#) | [Company Info](#) | [Online Catalog](#) | [Check Stock](#) | [Distributor/Price](#)

[Reps](#) | [New](#) | [Search](#) | [Contact](#) | [Privacy Policy](#)

BUD INDUSTRIES INC.

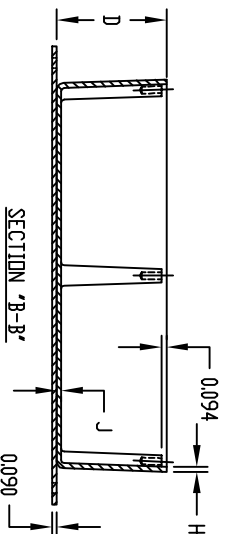
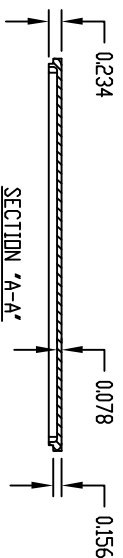
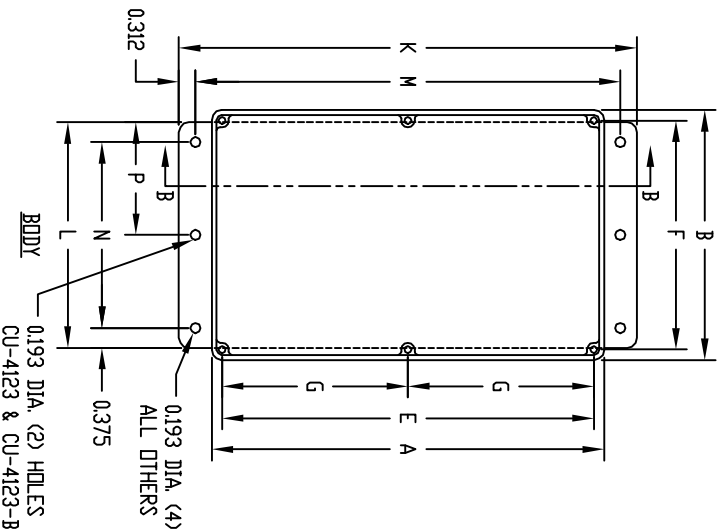
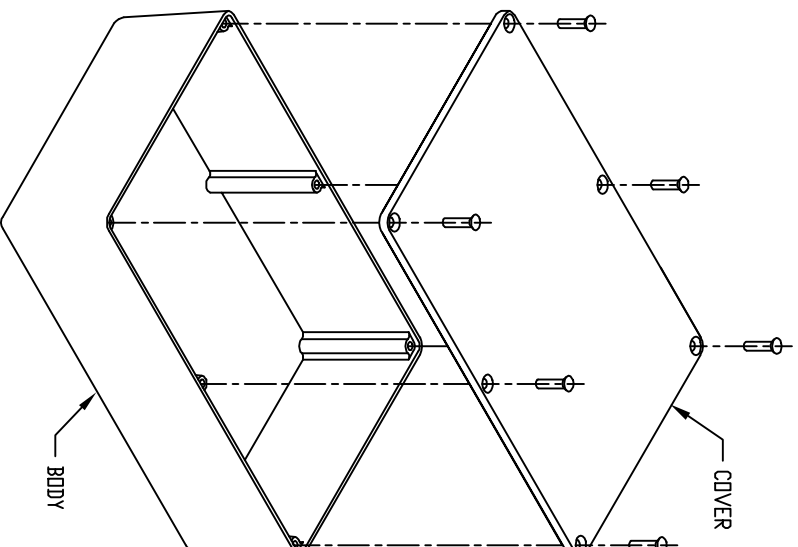
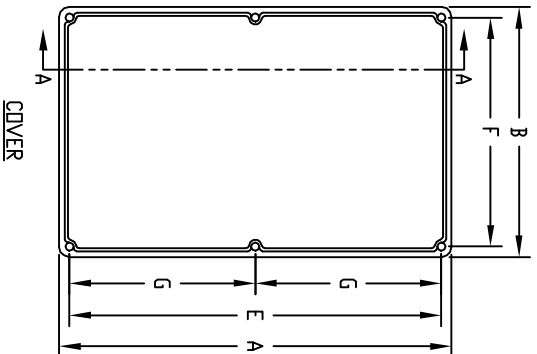
P.O. Box 998

Willoughby, Ohio 44094

Phone: 440-946-3200 Fax: 440-951-4015

E-Mail: saleseast@budind.com

PART NAME	ECONDBOXES		PART No.	CU-123 THRU CU-347 & CU-123-B THRU CU-4347-B	REV.	2-2-04
-----------	------------	--	----------	--	------	--------



MATERIAL:
ALUMINUM ALLOY #ADC-10
FINISH:
NATURAL (NO SUFFIX)
GRAY (SUFFIX -G)
SMOOTH BLACK (SUFFIX -B)

ALL INTERNAL FILLETS 0.062 RADIUS
ALL INTERNAL ROUNDS 0.125 RADIUS
ALL EXTERNAL ROUNDS 0.125 RADIUS
ALL BOXES ASSEMBLED WITH #6-32 FLAT HD. SCREWS

PART NO. CU-4123 THRU CU-4347
AND CU-4123-B THRU CU-4347-B
ARE SUPPLIED WITH A WELDED ON
MOUNTING BRACKET ONLY.

* ASSEMBLED HEIGHT

PART NO.	PART NO.	A	B	* C	D	E	F	G	H	J	K	L	M	N	P
CU-123	CU-123-G	3.625	1.500	1.218	1.062	3.250	1.125	---	0.062	0.062	---	---	---	---	---
CU-124	CU-124-G	4.375	2.375	1.218	1.062	4.000	2.000	---	0.062	0.078	---	---	---	---	---
CU-234	CU-234-G	4.688	3.688	2.218	2.062	4.312	3.312	---	0.094	0.078	---	---	---	---	---
CU-247	CU-247-G	7.390	4.703	2.218	2.062	7.000	4.312	3.500	0.094	0.078	---	---	---	---	---
CU-347	CU-347-G	7.390	4.703	3.218	3.062	7.000	4.312	3.500	0.094	0.078	---	---	---	---	---
CU-4123	CU-4123-B	3.625	1.500	1.218	1.062	3.250	1.125	---	0.062	0.062	4.874	1.250	4.250	0.500	0.625
CU-4124	CU-4124-B	4.375	2.375	1.218	1.062	4.000	2.000	---	0.062	0.078	5.624	2.000	5.000	1.250	---
CU-4234	CU-4234-B	4.688	3.688	2.218	2.062	4.312	3.312	---	0.094	0.078	5.874	3.312	5.250	2.562	---
CU-4247	CU-4247-B	7.390	4.703	2.218	2.062	7.000	4.312	3.500	0.094	0.078	8.624	4.250	8.000	3.500	---
CU-4347	CU-4347-B	7.390	4.703	3.218	3.062	7.000	4.312	3.500	0.094	0.078	8.500	4.250	7.876	3.500	---