

PART NAME

UTILIBOX (STYLE A)

PART No.

CU-3286 TO CUR-3286-MB

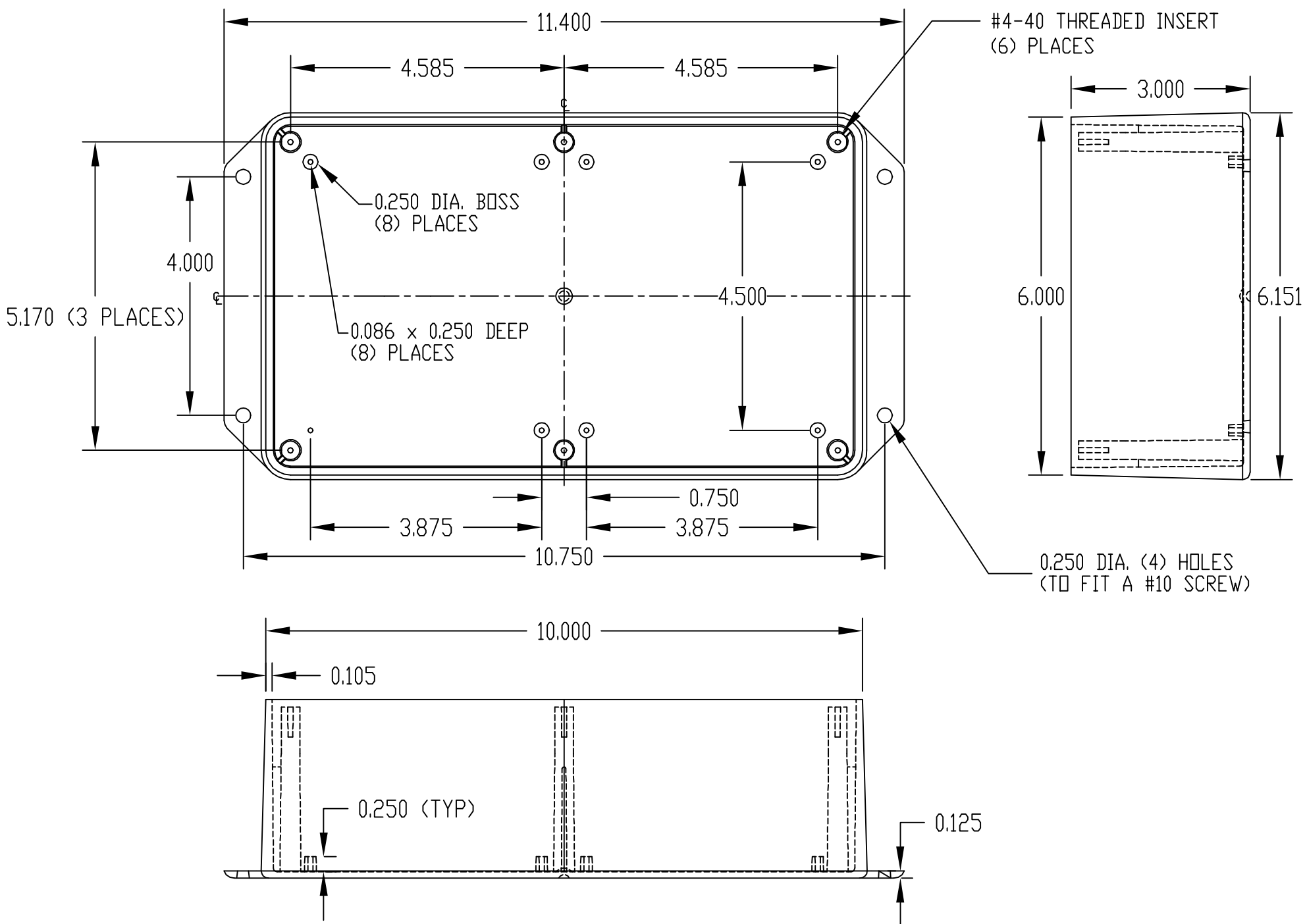
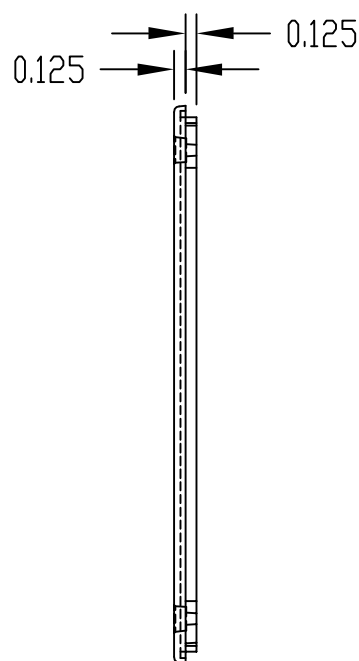
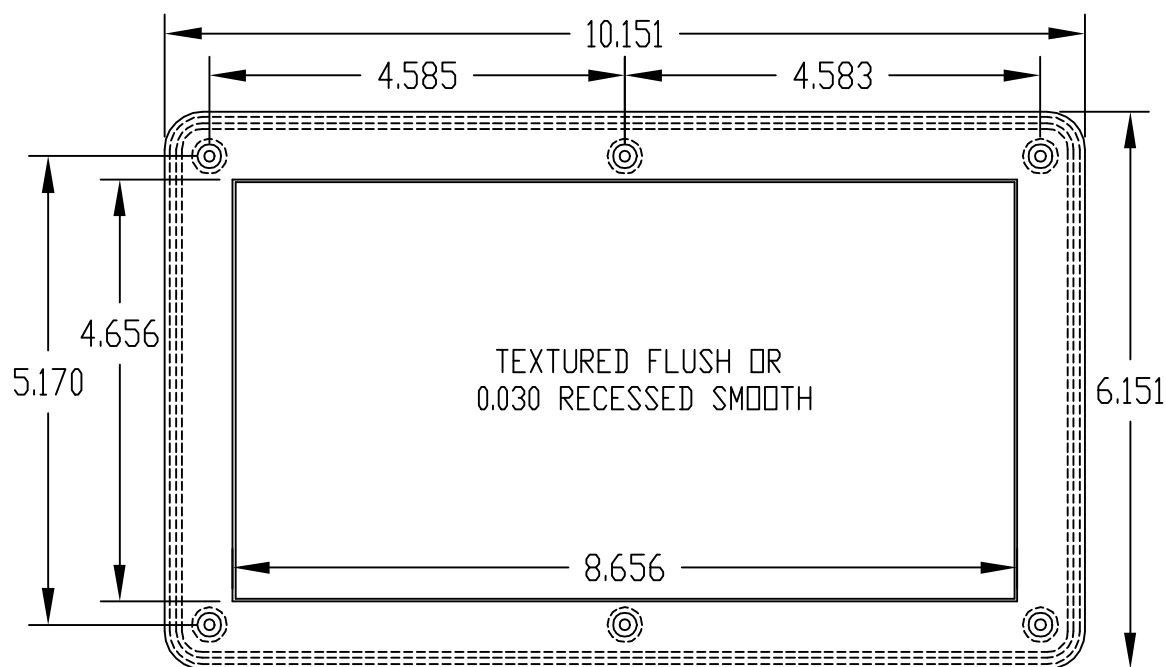
MATERIAL: ABS THERMOPLASTIC  
(FLAMMABILITY RATING OF UL94V-0)

FINISH: BLACK TEXTURED

NOTE: ALL DIMENSIONS HAVE  $\pm 0.010$  TOLERANCE  
UNLESS OTHERWISE SPECIFIED

SIX (6) #4-40 x 0.500" LG. SCREWS  
SUPPLIED FOR ASSEMBLING COVER  
TO BODY

MOUNTING BOSSES USE EITHER M2.5  
METRIC OR #4 STD. SHEET METAL  
SCREWS x 0.250" LG.  
(NOT SUPPLIED)



PART No.	Description
CU-3286	TEXTURED FLUSH COVER LESS RECESS AND BODY WITHOUT MOUNTING FLANGE
CU-3286-MB	TEXTURED FLUSH COVER LESS RECESS AND BODY WITH MOUNTING FLANGE.
CUR-3286	COVER WITH SMOOTH 0.030 RECESS AND BODY WITHOUT MOUNTING FLANGE.
CUR-3286-MB	COVER WITH SMOOTH 0.030 RECESS AND BODY WITH MOUNTING FLANGE