

PART NAME

UTILIBOX (STYLE E)

PART No.

CU-789-MB TO CU-792-MB

MATERIAL:

ABS THERMOPLASTIC  
(FLAMMABILITY RATING OF 94V-0 AT  
0.070" THICKNESS AND CONTINUOUS  
USE TEMPERATURE OF 70° C.)

FINISH:

BODY - OUTSIDE SURFACES ARE TEXTURED FINISH  
COVER - SURFACES ARE SMOOTH.

MOUNTING BOSSES USE EITHER M2.5 METRIC  
OR #4 STD. SHEET METAL SCREWS x 0.250" LG.  
(NOT SUPPLIED)

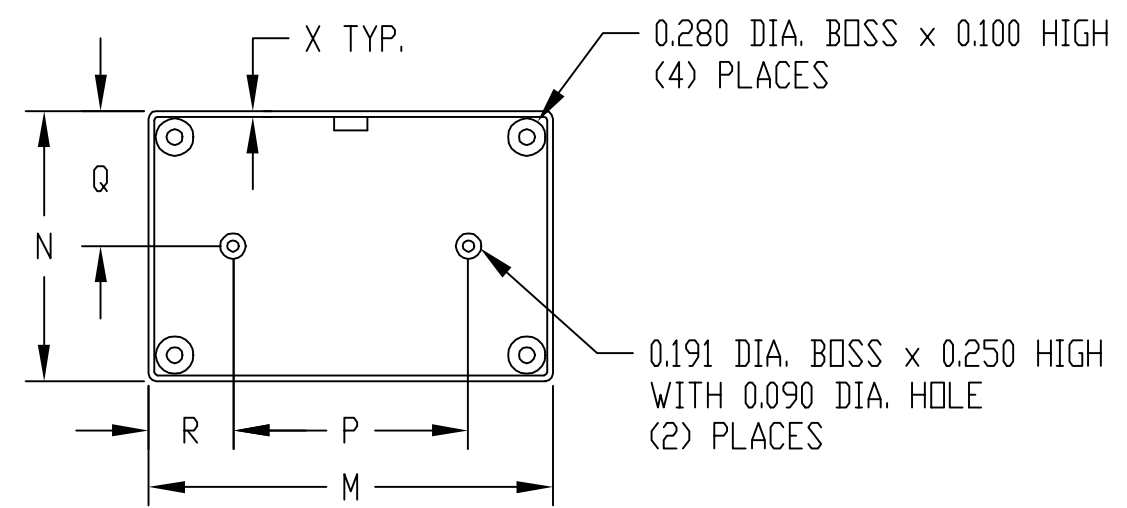
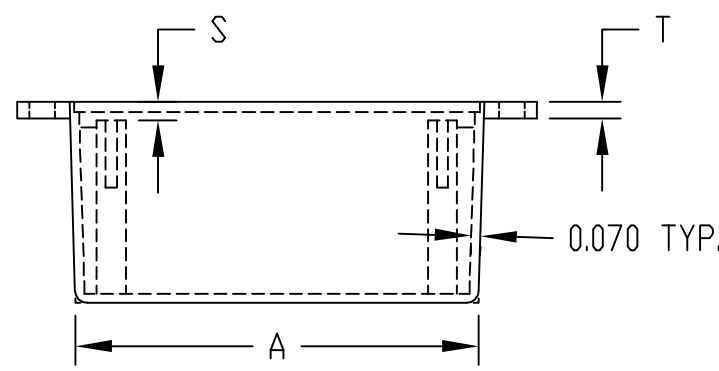
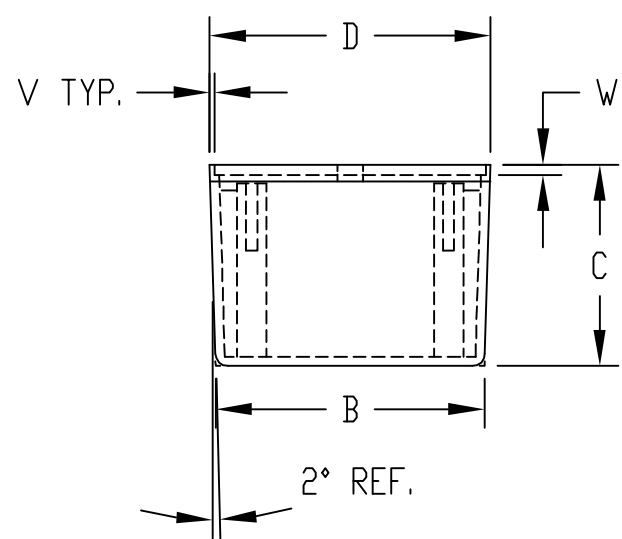
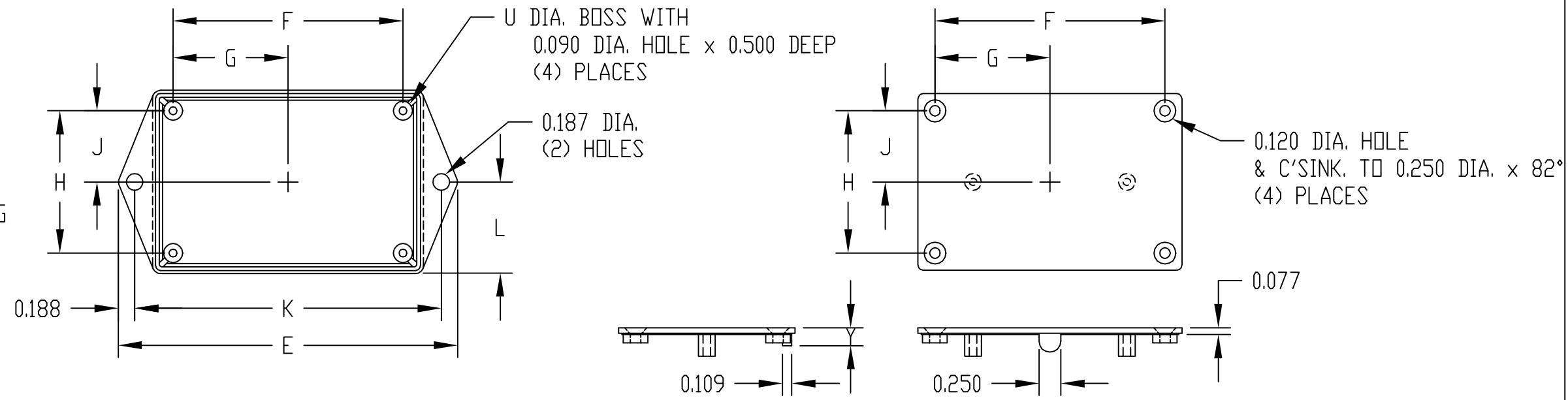
NOTE: ALL DIMENSIONS HAVE ±0.010 TOLERANCE  
UNLESS OTHERWISE SPECIFIED.

COLOR: BLACK

COVER REDUCES INSIDE HEIGHT BY 0.075.

LENGTH AND WIDTH DIMENSIONS ARE  
TAKEN FROM CLOSED END OF THE BOX.  
DIMENSIONS INCREASE SLIGHTLY AT  
OPEN END DUE TO TAPER.

FOUR (4) #4 x 0.500" LG. SELF THREADING  
SCREWS WITH HI/LOW THREADS  
ARE SUPPLIED FOR MOUNTING COVER.



BODY

COVER

PART No.	A	B	C	D	E	F	G	H	J	K	L	M	N	P	Q	R	S	T	U	V	W	X	Y
CU-789-MB	3.005	2.005	0.905	2.095	3.875	2.625	1.313	1.625	0.813	3.500	1.048	3.015	2.015	1.756	1.008	0.630	0.140	0.125	0.218	0.035	0.075	0.045	0.205
CU-790-MB	3.005	2.005	1.500	2.095	3.875	2.625	1.313	1.625	0.813	3.500	1.048	3.015	2.015	1.756	1.008	0.630	0.140	0.125	0.218	0.035	0.075	0.045	0.205
CU-791-MB	3.000	3.000	1.500	3.090	3.875	2.630	1.315	2.630	1.315	3.500	1.539	3.015	3.015	1.750	1.508	0.633	0.185	0.125	0.190	0.037	0.070	0.037	0.275
CU-792-MB	4.000	1.750	1.000	1.802	4.875	3.590	1.795	1.340	0.670	4.500	0.901	3.980	1.720	3.000	0.860	0.490	0.185	0.130	0.190	0.040	0.070	0.037	0.275