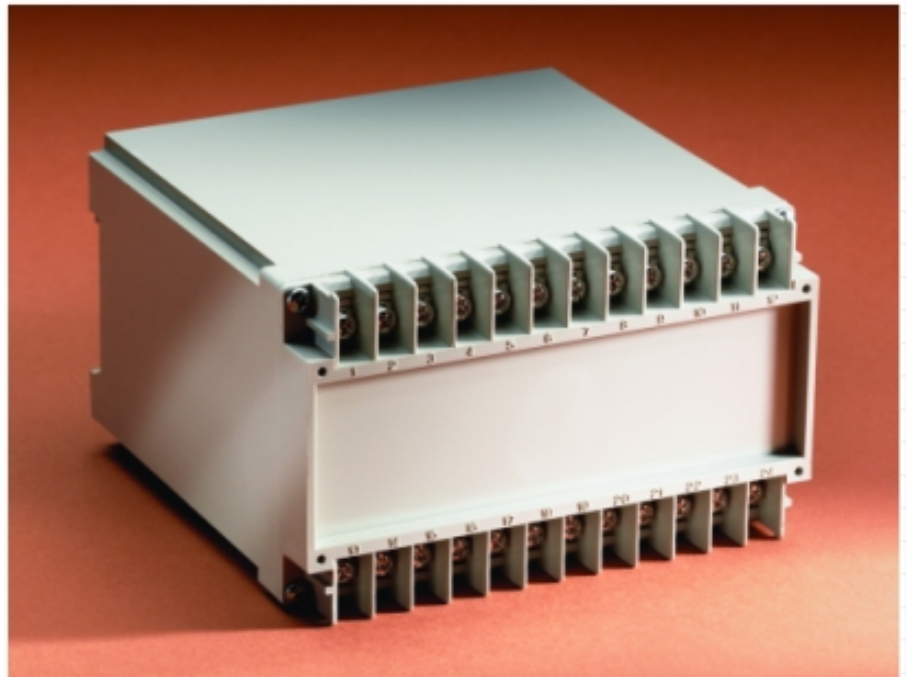
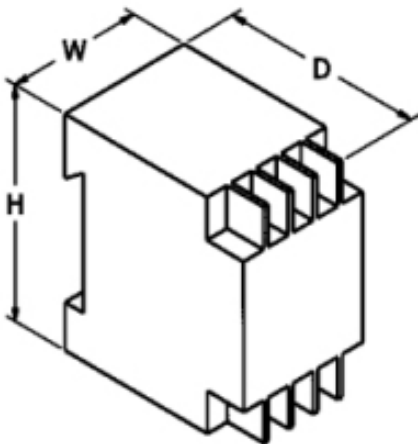




Plastic Boxes

DIN Rail Mount Box



[Click on Image for Larger View](#)

Plastic terminal boxes with DIN rail mounting and screw down contacts.

Design Features

- Durable UL94V-0 rated ABS plastic housing
- External clamp type contacts have M3 screws and lock washers
- Internal solder tab contacts
- All contacts are tin plated brass and have 10amp rating
- Internal horizontal and vertical PCB card guides
- Screw attached front covers with recessed area for labels
- Fits standard DIN rail



| DIN RAIL MOUNT BOX | | | | | | |
|--------------------|----------|--------------------|---------------------|---|---|-------------|
| Catalog Number | Drawings | Number of Contacts | External Dimensions | | | Weight Ozs. |
| | | | W | H | D | |
| | | | | | | |

| | | | | | | |
|---------|---|----|-------|-------|-------|-----|
| DB-4701 | PDF DXF | 12 | 2.57" | 2.76" | 4.42" | 4.1 |
| DB-4702 | PDF DXF | 16 | 3.23" | 2.76" | 4.42" | 5.0 |
| DB-4703 | PDF DXF | 20 | 3.92" | 2.76" | 4.42" | 5.7 |
| DB-4704 | PDF DXF | 24 | 4.61" | 2.76" | 4.42" | 6.7 |

[DXF](#) Autocad DXF Specifications File
 (Requires CAD software such as AutoCAD)

[PDF](#) Adobe PDF Specifications File



[Download PDF Viewer](#)

[Home](#) | [Company Info](#) | [Online Catalog](#) | [Check Stock](#) | [Distributor/Price](#)

[Reps](#) | [New](#) | [Search](#) | [Contact](#) | [Privacy Policy](#)

BUD INDUSTRIES INC.

P.O. Box 998

Willoughby, Ohio 44094

Phone: 440-946-3200 Fax: 440-951-4015

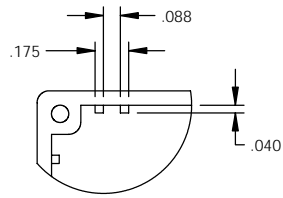
E-Mail: saleseast@budind.com

PART NAME

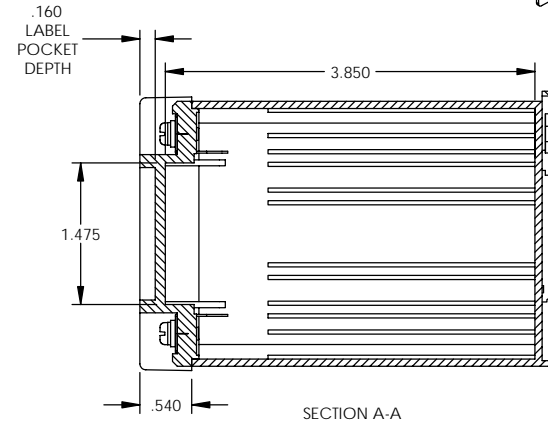
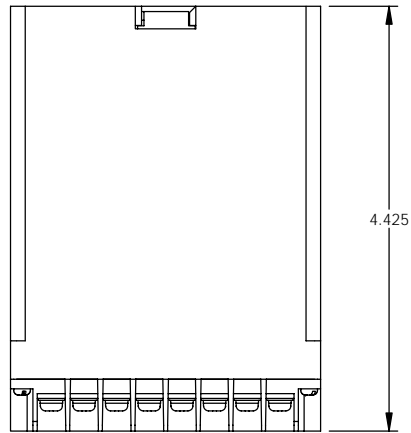
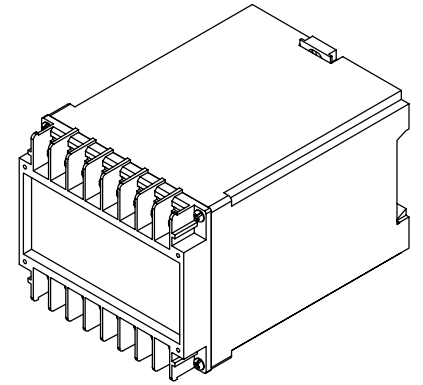
DIN RAIL MOUNT BOX

PART No.

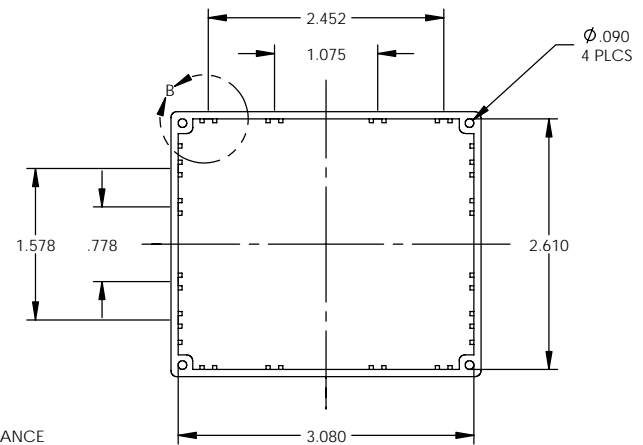
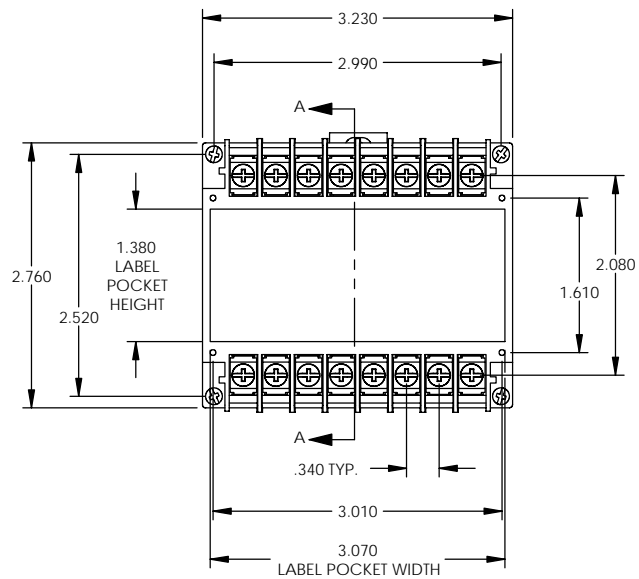
DB-4702



DETAIL B



SECTION A-A



MATERIAL: UL94V-0 ABS PLASTIC

FINISH: LIGHT GRAY

FOUR (4) M3 SCREWS SUPPLIED TO ATTACH FRONT PANEL

ALL DIMENSIONS HAVE A ±.015 TOLERANCE UNLESS OTHERWISE SPECIFIED

ALL CONTACTS ARE TIN PLATED BRASS RATED AT 10 AMPS