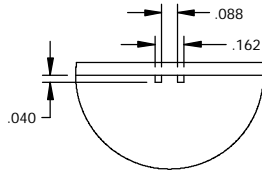


PART NAME

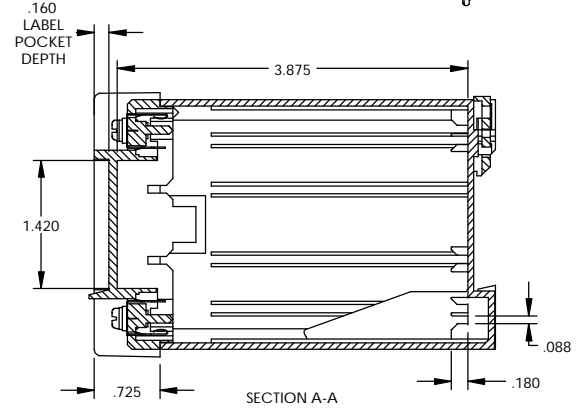
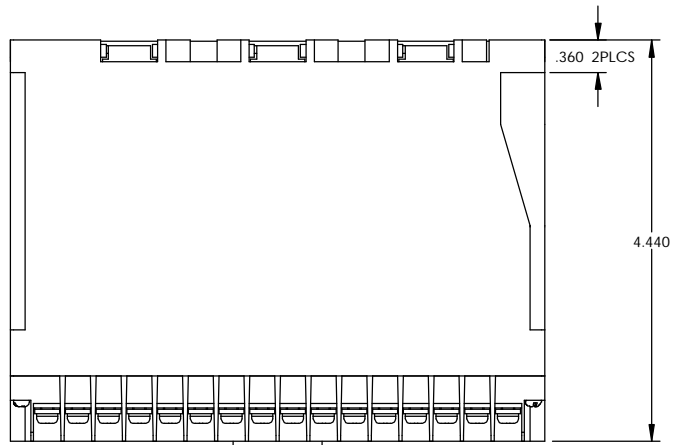
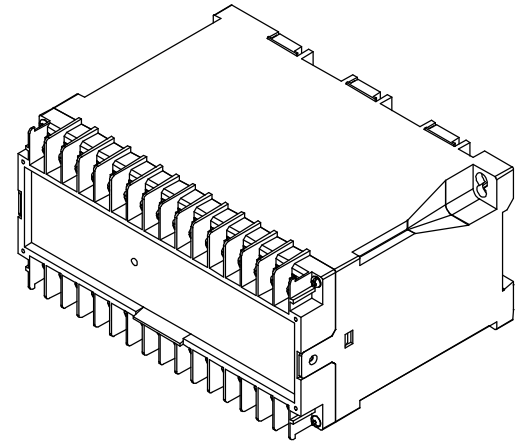
DIN RAIL / PANEL MOUNT BOX

PART No.

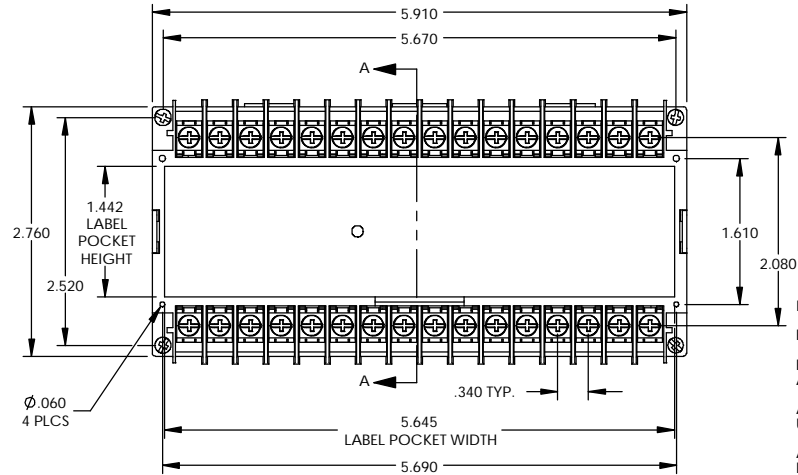
DB-4715



DETAIL B



SECTION A-A



MATERIAL: UL94V-0 RATED ABS

FINISH: LIGHT GRAY

FOUR (4) M3 SCREWS SUPPLIED TO ATTACH FRONT PANEL

ALL DIMENSIONS HAVE A  $\pm 0.15$  TOLERANCE UNLESS OTHERWISE SPECIFIED

ALL CONTACTS ARE TIN PLATED BRASS RATED AT 10 AMPS

