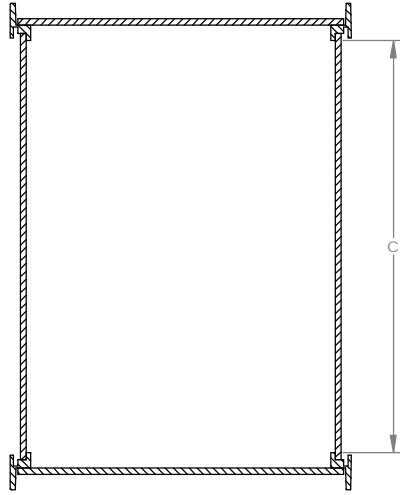


PART NAME

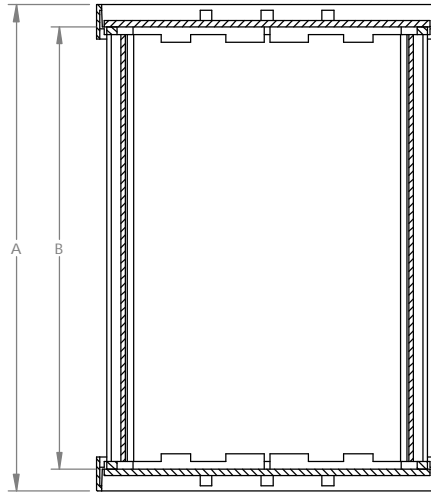
EXTRUDED ALUMINUM BOX

PART No.

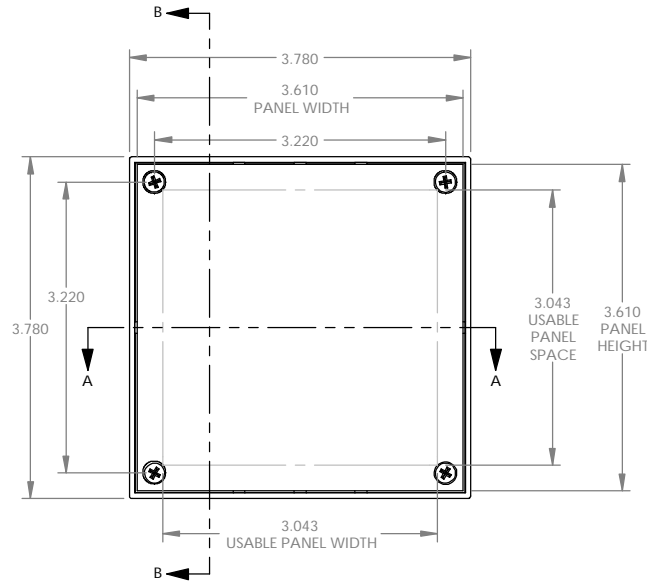
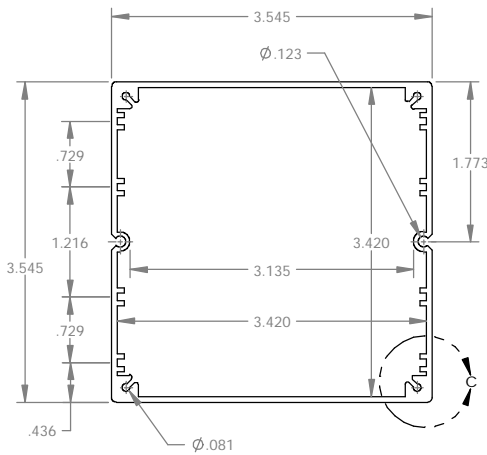
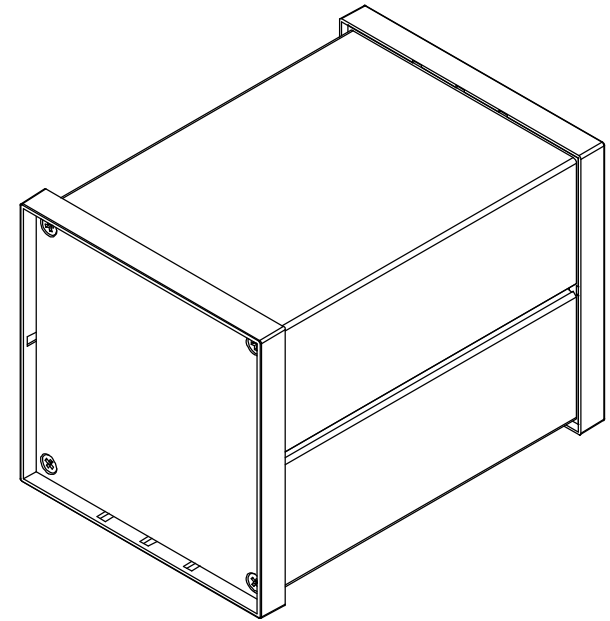
EX-4541 & EX-4542 & EX-4543



SECTION B-B



SECTION A-A

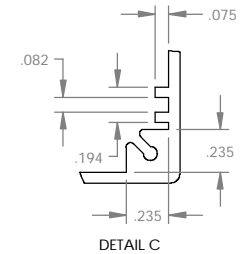


MATERIAL:
 BODY - ALUMINUM
 BEZEL - UL94V-0 ABS
 PANEL - .069 THICK ALUMINUM

FINISH:
 BODY - SILVER COATING
 BEZEL - BLACK
 PANEL - NATURAL

EIGHT (8) M3X10mm FLAT HEAD SCREWS SUPPLIED TO ATTACH END PANELS AND BEZELS TO BODY (ALTERNATE SCREW #4 x 5/8 FLAT HEAD THREAD CUTTING SCREWS CAN BE SUBSTITUTED)
 RECOMMEND INSERTION TORQUE 6-8 in-lbs.

ALL DIMENSIONS HAVE $\pm .015$ TOLERANCE UNLESS OTHERWISE SPECIFIED



DETAIL C

PART No.	EXTERNAL		INTERNAL CLEARANCE	
	A	B	B	C
EX-4541	5.38	4.88	4.56	
EX-4542	6.89	6.48	6.14	
EX-4543	9.32	8.83	8.50	