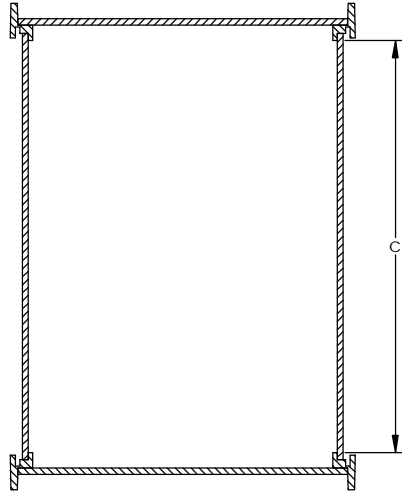


PART NAME

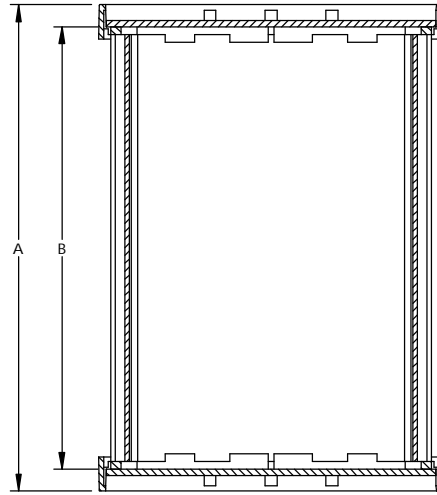
EXTRUDED ALUMINUM BOX

PART No.

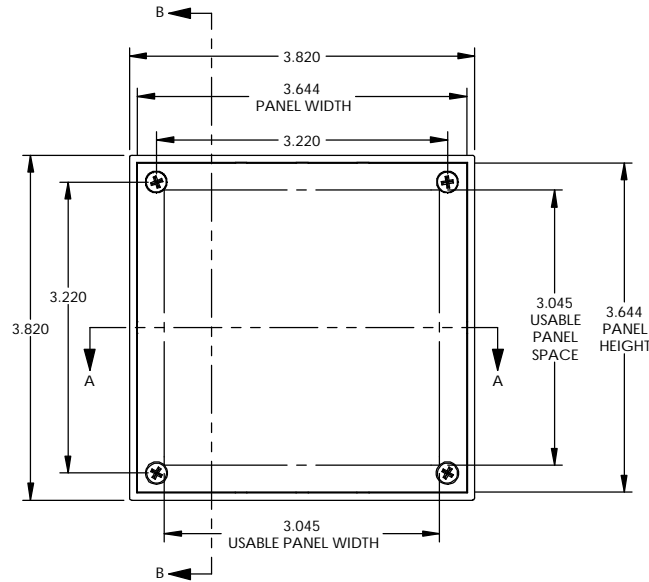
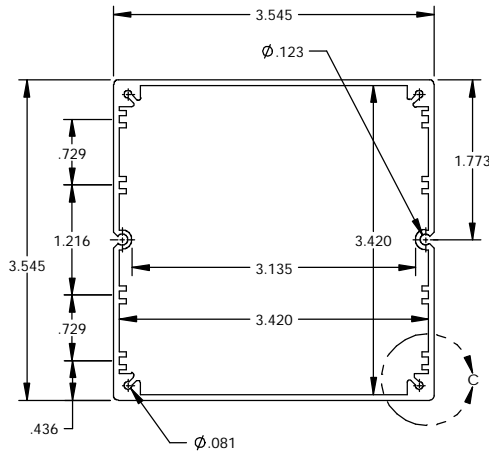
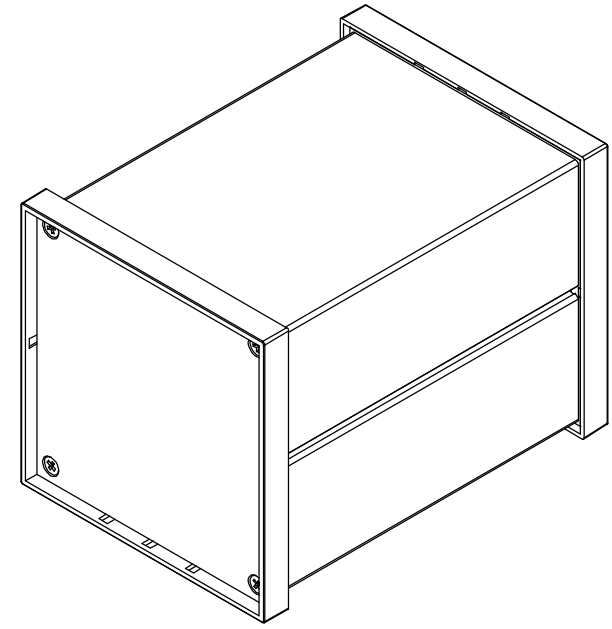
EX-4541 & EX-4542 & EX-4543



SECTION B-B



SECTION A-A

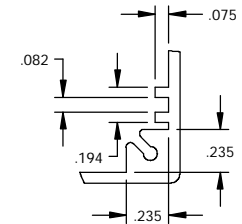


MATERIAL:
 BODY - ALUMINUM
 BEZEL - UL94V-0 ABS
 PANEL - .069 THICK ALUMINUM

FINISH:
 BODY - SILVER COATING
 BEZEL - BLACK
 PANEL - NATURAL

EIGHT (8) M3X10mm FLAT HEAD SCREWS
 SUPPLIED TO ATTACH END PANELS AND
 BEZELS TO BODY

ALL DIMENSIONS HAVE ±.015 TOLERANCE
 UNLESS OTHERWISE SPECIFIED



DETAIL C

PART No.	EXTERNAL		INTERNAL CLEARANCE	
	A	B	B	C
EX-4541	5.38	4.90	4.90	4.56
EX-4542	6.96	6.48	6.48	6.14
EX-4543	9.32	8.84	8.84	8.50