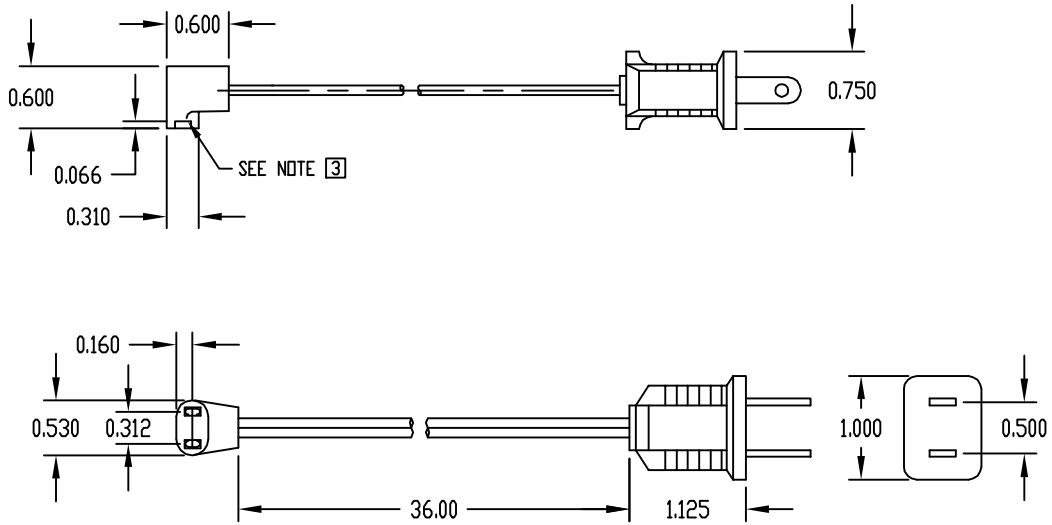
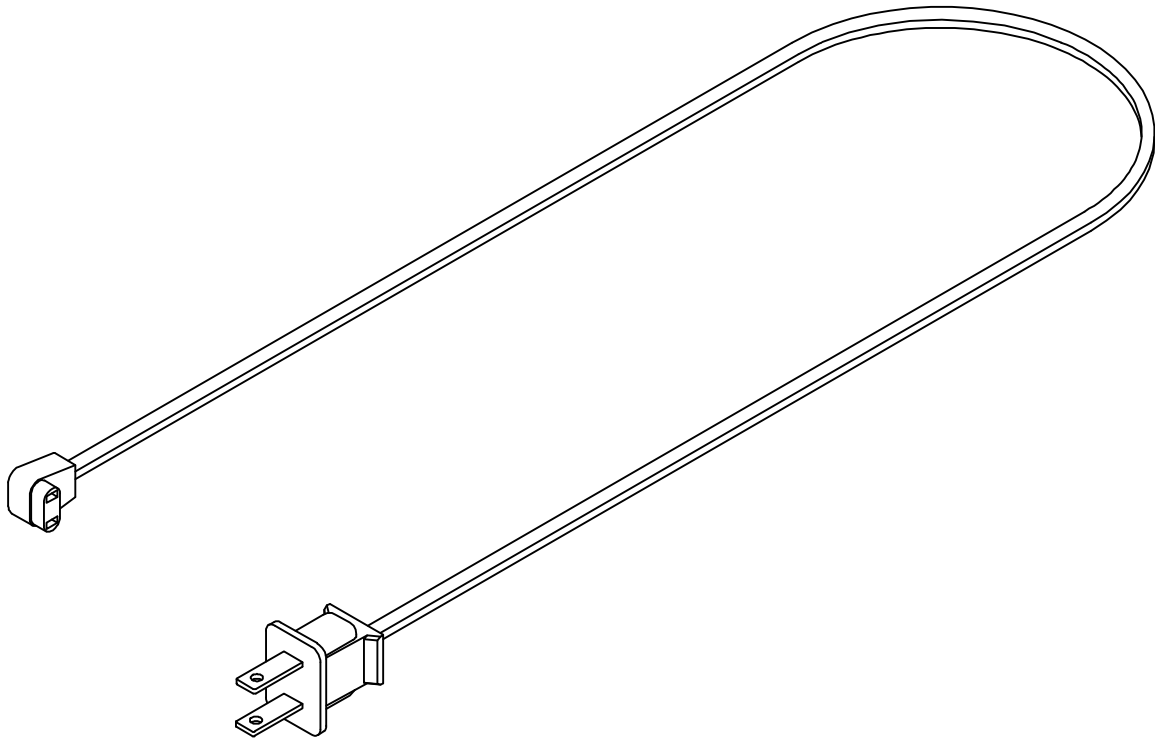


PART  
NAME

FAN CORD

PART  
No.

FC-1283



- [1] MATERIAL:  
a) LEADS-SPT-1 18AWG 105° C. INSULATION. (COLOR BLACK)  
b) PLUG-PVC UL 105° C. (COLOR BLACK)  
c) TERMINAL-PHOSPHOR BRONZE
- [2] UL RATED-E61080, CSA APPROVED-LR35931
- [3] TERMINALS TO BE PRE-TINNED & MUST BE FREE OF FLASH.