

PART NAME LARGE NON-METALLIC ENCLOSURE (STYLE A)

PART NO.

NBA-10144 & NBA-10164

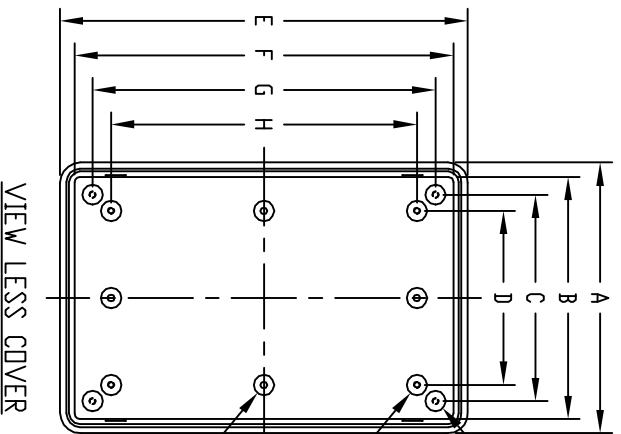
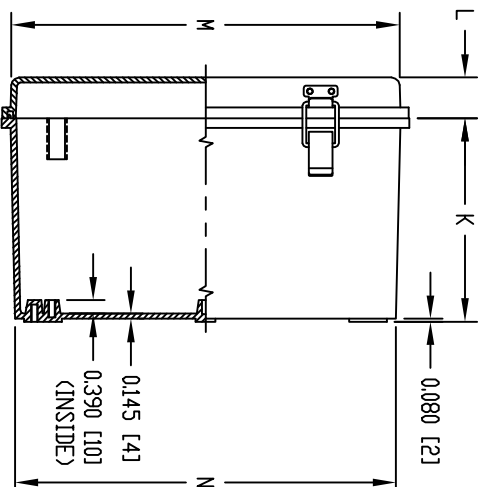
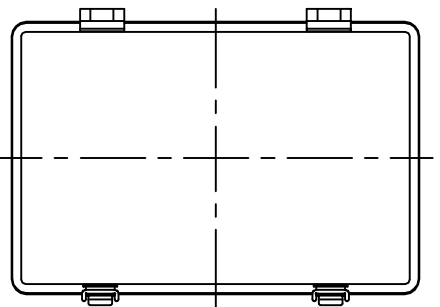
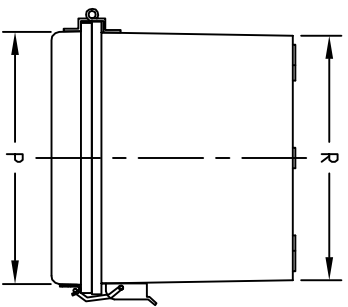
**MATERIAL:**

SOLID BODY & COVER \_\_\_\_\_ ABS/PC BLENDED PLASTIC  
 UL94-SVB FLAMMABILITY RATING  
 -40°C TD +70°C TEMPERATURE RANGE  
 CLEAR COVER \_\_\_\_\_ POLYCARBONATE PLASTIC  
 UL94-V0 FLAMMABILITY RATING  
 -40°C TD +70°C TEMPERATURE RANGE  
 UV STABILIZED

LATCHES, HINGES &  
 WALL MOUNTING BRACKETS \_\_\_\_\_ STAINLESS STEEL

**FINISH:**

BODY \_\_\_\_\_ LIGHT GRAY  
 COVER \_\_\_\_\_ LIGHT GRAY OR CLEAR



COVER IS GASKETED.

NOTE: UNIT COMES COMPLETE WITH FOUR (4) STAINLESS STEEL WALL MOUNTING BRACKETS. (NOT SHOWN)

INTERNAL HINGED PANEL MOUNTING BRACKETS, AIR & MOISTURE VENTS, STAINLESS STEEL LOCKING HASP AND GALVANIZED STEEL INTERNAL PANEL ARE NOT INCLUDED, BUT CAN BE PURCHASED SEPARATELY.

INDUSTRY STANDARDS:  
 UL508 TYPE 1, 2, 4, 4X INDOOR, 12 & 13  
 NEMA TYPE 1, 2, 4, 4X, 12 & 13  
 IEC529, IP66

DIMENSIONS = [INCHES / MILLIMETERS]

NOTE: ALL DIMENSIONS HAVE ±0.039 [+/-] TOLERANCE UNLESS OTHERWISE SPECIFIED

PART NO.		DIMENSIONS													
SOLID COVER	CLEAR COVER	A	B	C	D	E	F	G	H	K	L	M	N	P	R
NBA-10144	NBA-10164	7.848 [199]	7.021 [178]	5.990 [152]	5.050 [128]	11.832 [301]	10.989 [279]	9.949 [253]	8.872 [225]	5.899 [150]	1.186 [30]	11.253 [286]	11.060 [281]	7.308 [186]	7.100 [180]