

PART NAME	LARGE NON-METALLIC ENCLOSURE (STYLE B)	PART No.	NBB-10243 & NBB-10263 & NBB-15243
-----------	--	----------	-----------------------------------

MATERIAL:
INDOOR RATED
 SOLID BODY & COVER _____ ABS/PC BLENDED PLASTIC
 UL94-5VB FLAMMABILITY RATING
 -40°C TO +70°C TEMPERATURE RANGE
 CLEAR COVER _____ POLYCARBONATE PLASTIC
 UL94-VD FLAMMABILITY RATING
 -40°C TO +70°C TEMPERATURE RANGE
 UV STABILIZED

OUTDOOR RATED
 SOLID BODY & COVER _____ PBT/PC BLENDED PLASTIC
 UL94-5VA FLAMMABILITY RATING
 -40°C TO +70°C TEMPERATURE RANGE
 UV STABILIZED

FINISH:
 BODY _____ LIGHT GRAY
 COVER _____ LIGHT GRAY OR CLEAR

LATCHES & HINGES _____ NON-METALLIC
 WALL MOUNTING BRACKETS _____ STAINLESS STEEL

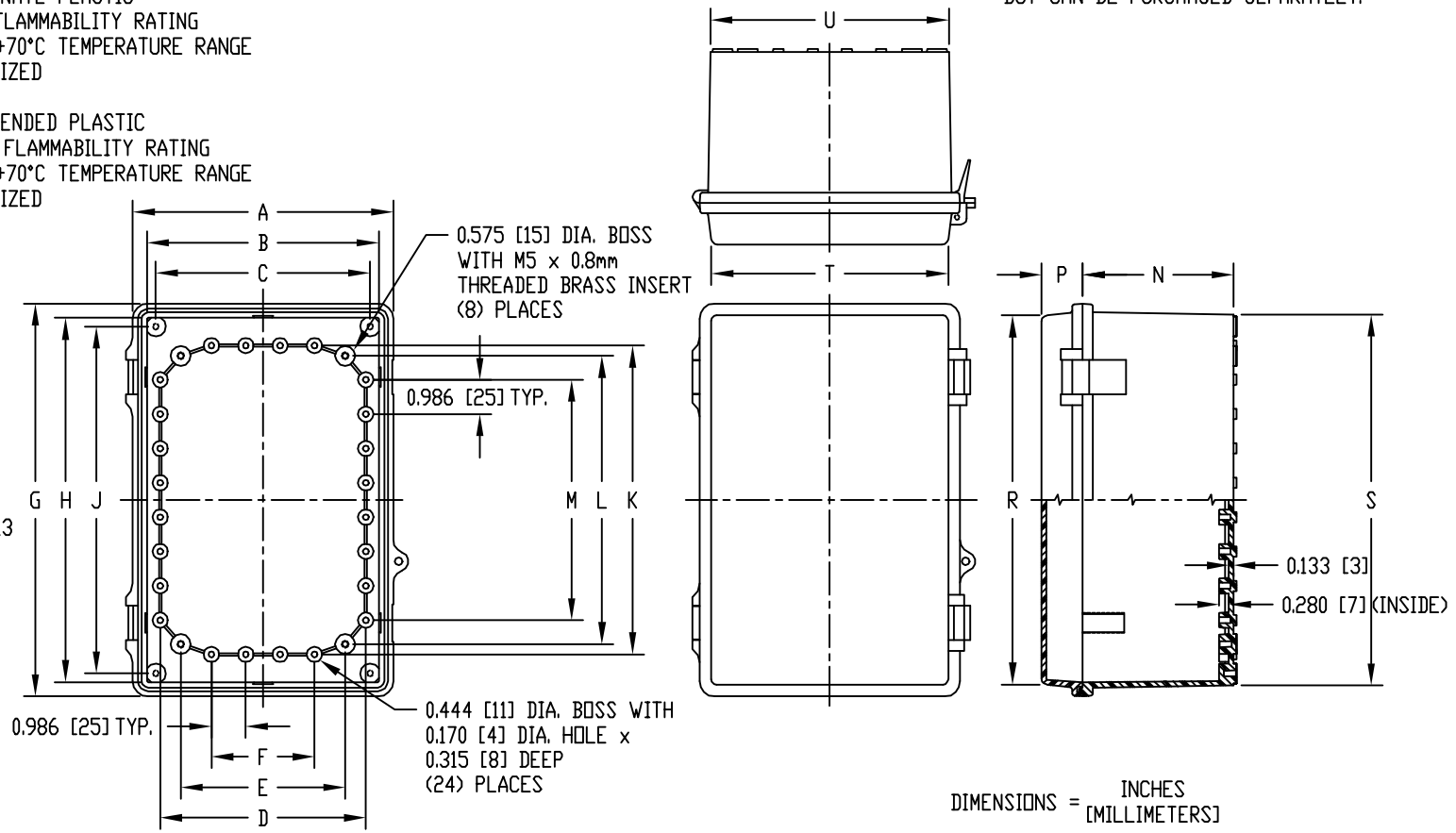
INTERNAL HINGED PANEL MOUNTING BRACKETS, STAINLESS STEEL LOCKING HASP, AIR AND MOISTURE VENTS AND GALVANIZED STEEL INTERNAL PANEL ARE NOT INCLUDED, BUT CAN BE PURCHASED SEPARATELY.

NOTE: UNIT COMES COMPLETE WITH FOUR (4) STAINLESS STEEL WALL MOUNTING BRACKETS. (NOT SHOWN)

COVER IS GASKETED.

INDUSTRY STANDARDS:
INDOOR RATED
 UL508 TYPE 1, 2, 4, 4X INDOOR, 12 & 13
 NEMA TYPE 1, 2, 4, 4X, 12 & 13
 IEC529, IP66

OUTDOOR RATED
 UL508 TYPE 1, 2, 4, 4X, 12 & 13
 NEMA TYPE 1, 2, 4, 4X, 12 & 13
 IEC529, IP66



DIMENSIONS = INCHES
 [MILLIMETERS]

NOTE: ALL DIMENSIONS HAVE ±0.039 [±1] TOLERANCE UNLESS OTHERWISE SPECIFIED

INDOOR RATED			OUTDOOR RATED			DIMENSIONS																	
PART NO.			PART NO.			A	B	C	D	E	F	G	H	J	K	L	M	N	P	R	S	T	U
SOLID COVER	CLEAR COVER	SOLID COVER	NBB-10243	NBB-10263	NBB-15243	7.475	6.650	6.150	5.900	4.717	2.960	11.280	10.462	9.955	8.860	8.278	6.902	4.330	1.185	10.600	10.640	6.800	6.840
			[190]	[169]	[156]	[150]	[120]	[75]	[287]	[266]	[253]	[225]	[210]	[175]	[110]	[30]	[269]	[270]	[173]	[175]			