

PART NAME	LARGE NON-METALLIC ENCLOSURE (STYLE B)	PART No.	NBB-10240 & NBB-10260 & NBB-15240 & NBB-22240	REV. DATE	6-24-05
-----------	--	----------	---	-----------	---------

MATERIAL:

UL LISTED INDOOR VERSION
 SOLID BODY & COVER _____ ABS/PC BLENDED PLASTIC
 UL94-5VB FLAMMABILITY RATING

CLEAR COVER _____ POLYCARBONATE PLASTIC
 UL94-V0 FLAMMABILITY RATING
 UV STABILIZED

UL LISTED OUTDOOR VERSION
 SOLID BODY & COVER _____ PBT/PC BLENDED PLASTIC
 UL94-5VA FLAMMABILITY RATING
 UV STABILIZED

ABS VERSION
 SOLID BODY & COVER _____ ABS
 UL94V-0 FLAMMABILITY RATING

ALL VERSIONS
 GASKET _____ MODIFIED POLYURETHANE

FINISH:
 BODY _____ LIGHT GRAY
 COVER _____ LIGHT GRAY OR CLEAR

LATCHES & HINGES _____ NON-METALLIC
 WALL MOUNTING BRACKETS _____ STAINLESS STEEL

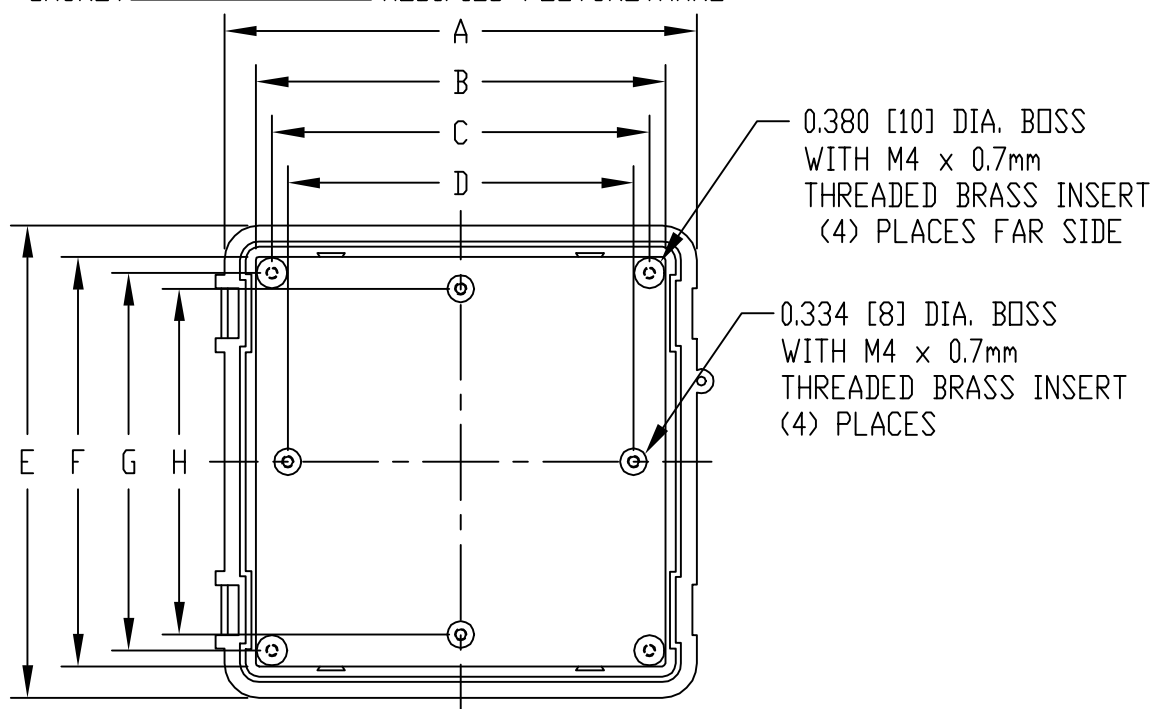
NOTE: UNIT COMES COMPLETE WITH FOUR (4) STAINLESS STEEL WALL MOUNTING BRACKETS. (NOT SHOWN)

COVER IS GASKETED.

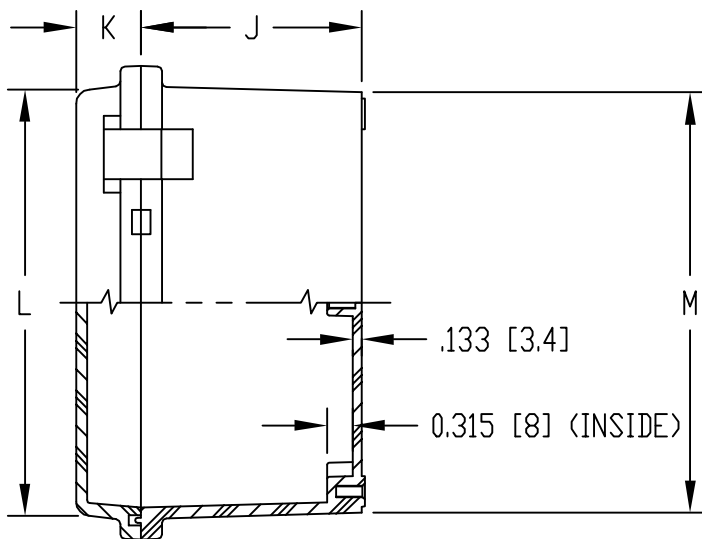
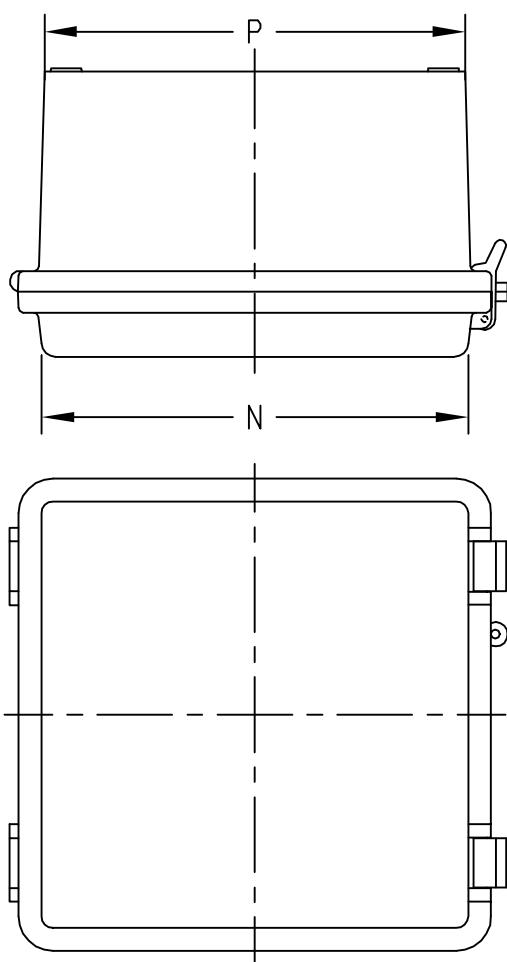
INDUSTRY STANDARDS:
UL LISTED INDOOR VERSION
 UL508 TYPE 1, 2, 3, 3R, 4, 4X INDOOR, 12 & 13
 NEMA TYPE 1, 2, 3, 3R, 4, 4X, 12 & 13
 IEC529, IP66

UL LISTED OUTDOOR VERSION
 UL508 TYPE 1, 2, 3, 3R, 4, 4X, 12 & 13
 NEMA TYPE 1, 2, 3, 3R, 4, 4X, 12 & 13
 IEC529, IP66

ABS VERSION
 NEMA TYPE 1, 2, 3, 3R, 4, 4X, 12 & 13
 IEC529, IP66



VIEW LESS COVER



AIR AND MOISTURE VENTS AND GALVANIZED STEEL INTERNAL PANEL ARE NOT INCLUDED, BUT CAN BE PURCHASED SEPARATELY.

DIMENSIONS = INCHES [MILLIMETERS]

NOTE: ALL DIMENSIONS HAVE ±0.039 [±1] TOLERANCE UNLESS OTHERWISE SPECIFIED

UL LISTED INDOOR VERSION		UL LISTED OUTDOOR VERSION	ABS VERSION	DIMENSIONS													
PART NO.		PART NO.	PART NO.	A	B	C	D	E	F	G	H	J	K	L	M	N	P
SOLID COVER	CLEAR COVER	SOLID COVER	SOLID COVER														
NBB-10240	NBB-10260	NBB-15240	NBB-22240	5.904 [150]	5.040 [130]	4.715 [120]	4.322 [110]	5.904 [150]	5.040 [130]	4.715 [120]	4.322 [110]	2.753 [70]	0.815 [21]	5.330 [135]	5.255 [133]	5.330 [135]	5.255 [133]