

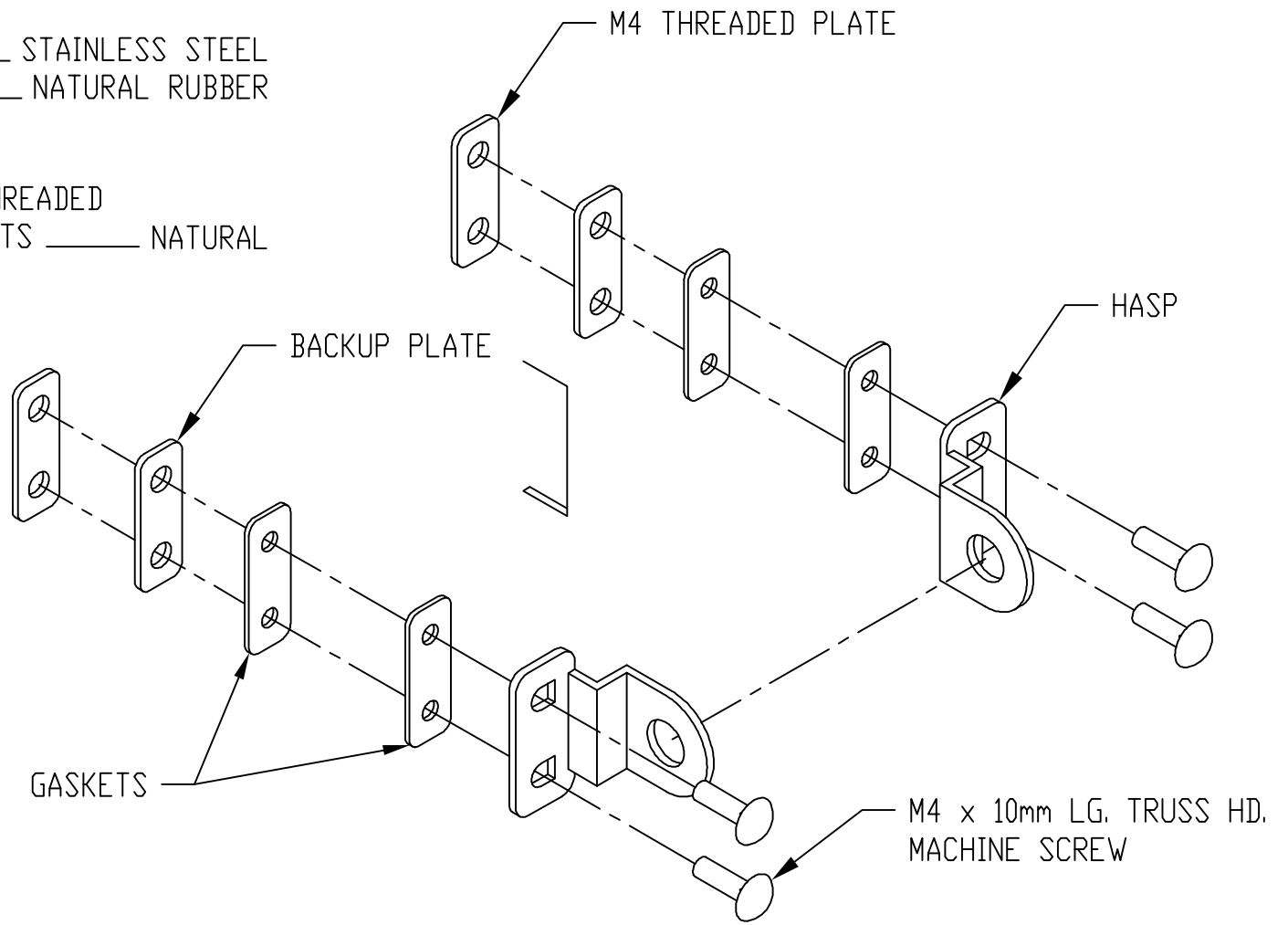
PART NAME	LOCKING HASP KIT	PART No.	NBX-10915
-----------	------------------	----------	-----------

MATERIAL:

HASPS, BACKUP PLATES,
 SCREWS _____ STAINLESS STEEL
 GASKETS _____ NATURAL RUBBER

FINISH:

HASPS, BACKUP PLATES, THREADED
 PLATES, SCREWS & GASKETS _____ NATURAL



PART NAME	INTERNAL PANEL HINGED BRACKET KIT	PART No.	NBX-10970
-----------	-----------------------------------	----------	-----------

MATERIAL:

BRACKETS _____ ABS/PC BLENDED PLASTIC
 SCREWS _____ STAINLESS STEEL
 CAPTIVE THUMB SCREWS _____ BRASS
 RETAINING C-CLIPS _____ STEEL

FINISH:

BRACKETS _____ LIGHT GRAY
 SCREWS _____ NATURAL
 RETAINING C-CLIPS _____ ZINC PLATED

