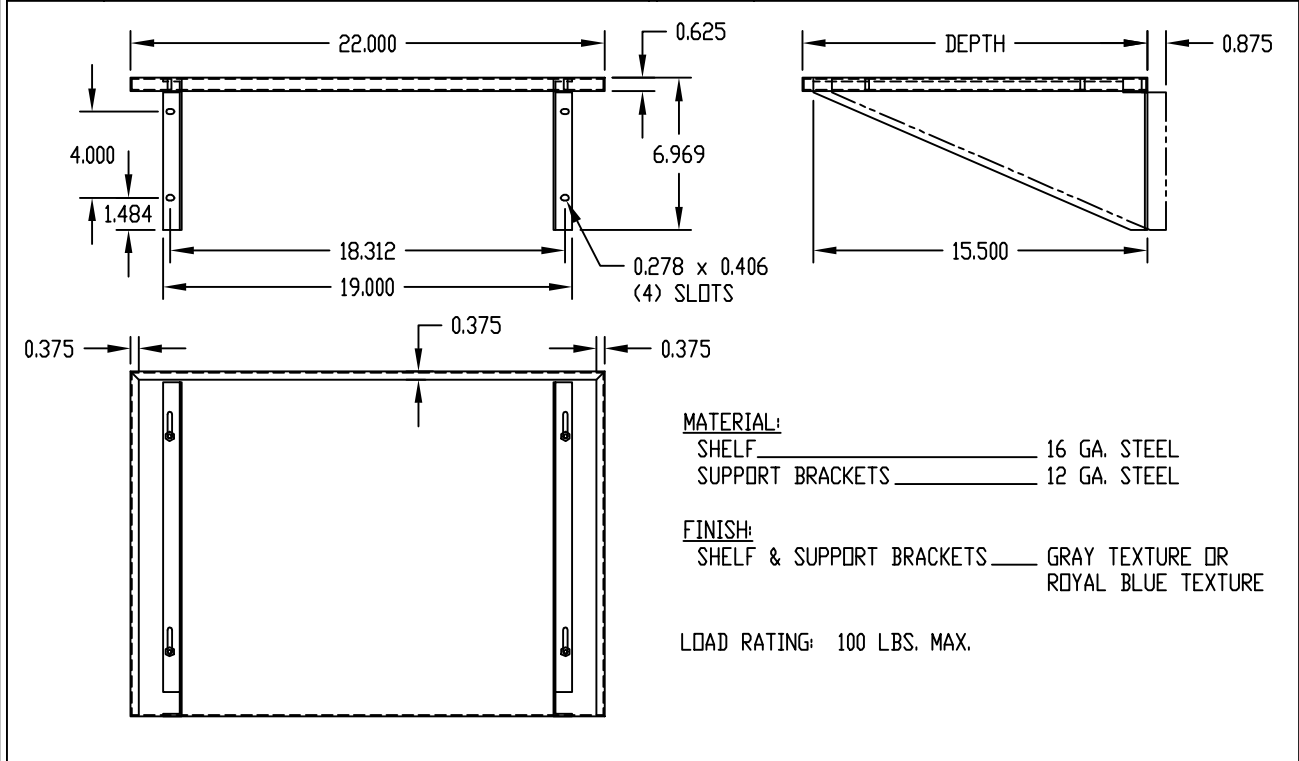


PART NAME	SHELF ASSEMBLY	PART No.	SA-1719 AND SA-1720
-----------	----------------	----------	---------------------



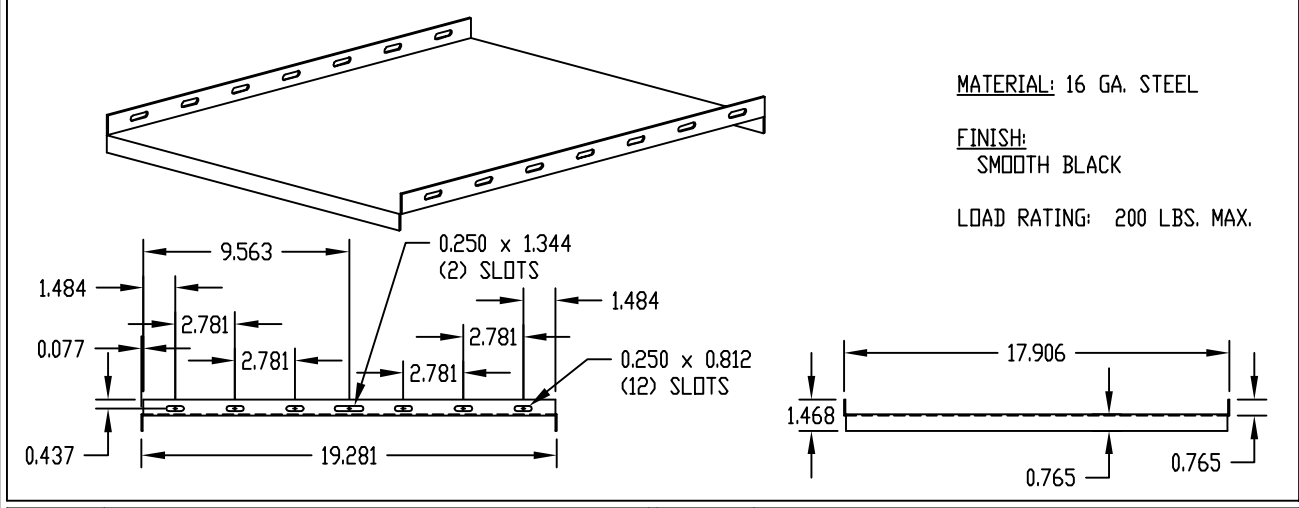
MATERIAL:
 SHELF _____ 16 GA. STEEL
 SUPPORT BRACKETS _____ 12 GA. STEEL

FINISH:
 SHELF & SUPPORT BRACKETS _____ GRAY TEXTURE OR ROYAL BLUE TEXTURE

LOAD RATING: 100 LBS. MAX.

PART No.	DEPTH	PART No.	DEPTH
SA-1719	16.000	SA-1720	20.000

PART NAME	SHELF	PART No.	60-2380
-----------	-------	----------	---------

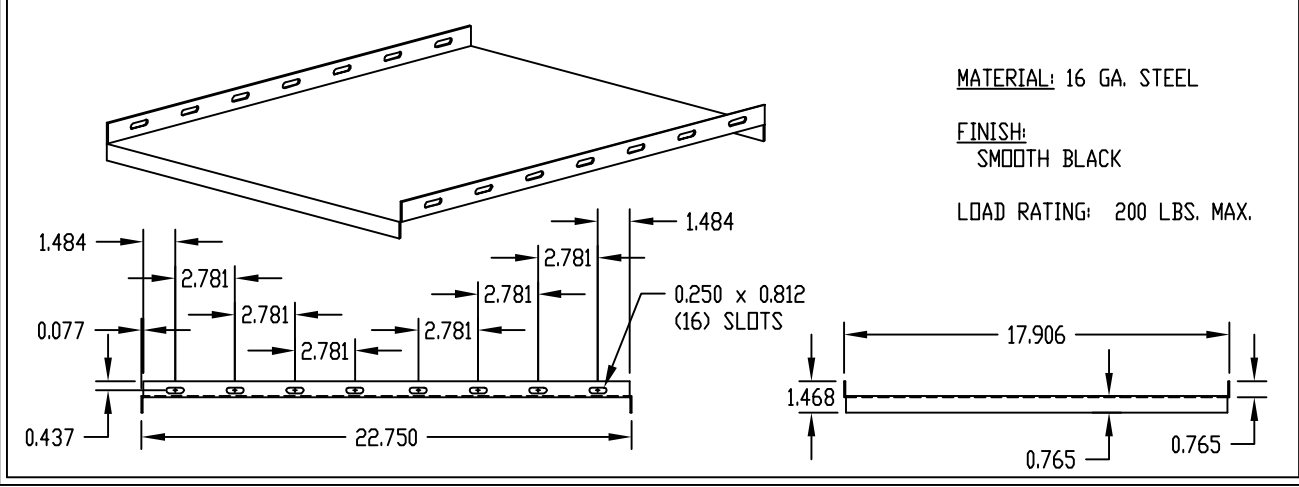


MATERIAL: 16 GA. STEEL

FINISH:
 SMOOTH BLACK

LOAD RATING: 200 LBS. MAX.

PART NAME	SHELF	PART No.	60-2381
-----------	-------	----------	---------



MATERIAL: 16 GA. STEEL

FINISH:
 SMOOTH BLACK

LOAD RATING: 200 LBS. MAX.