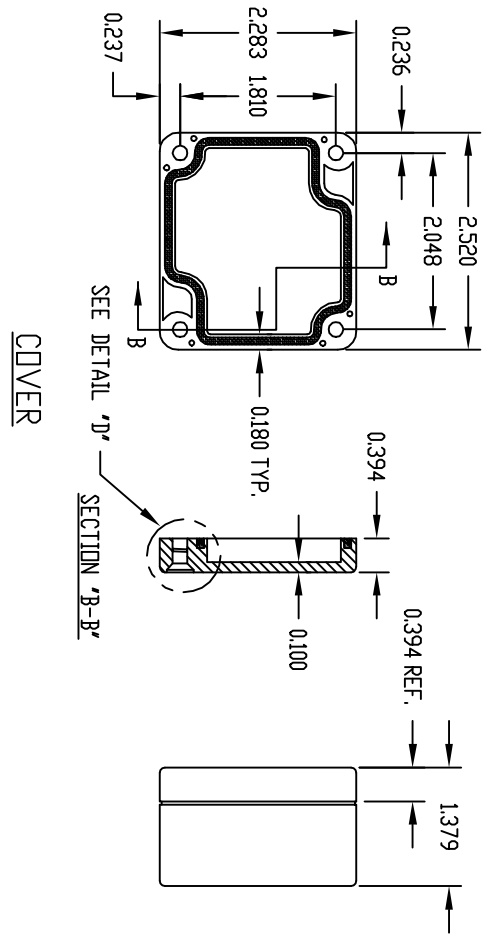
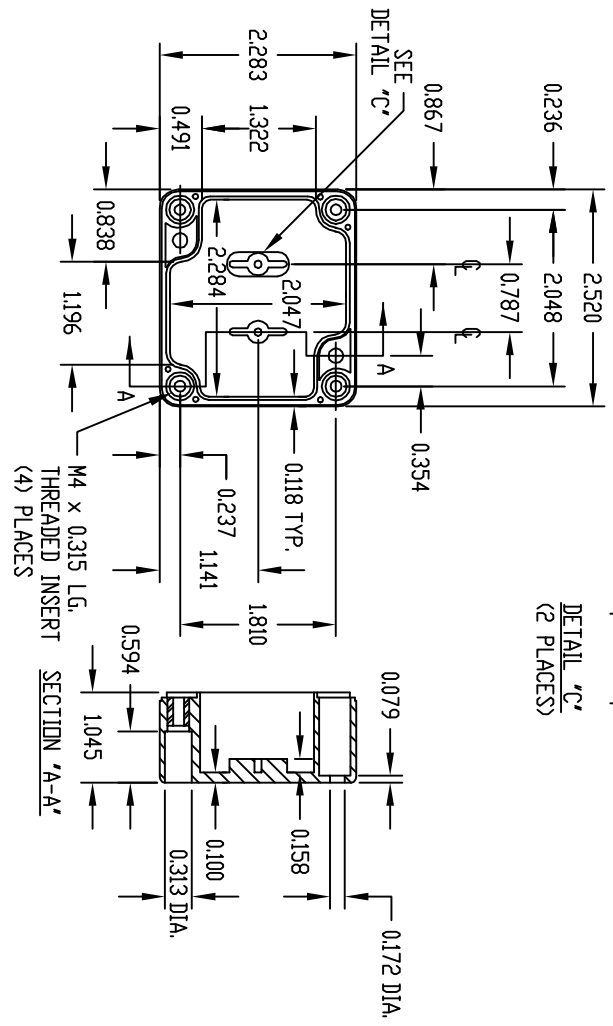
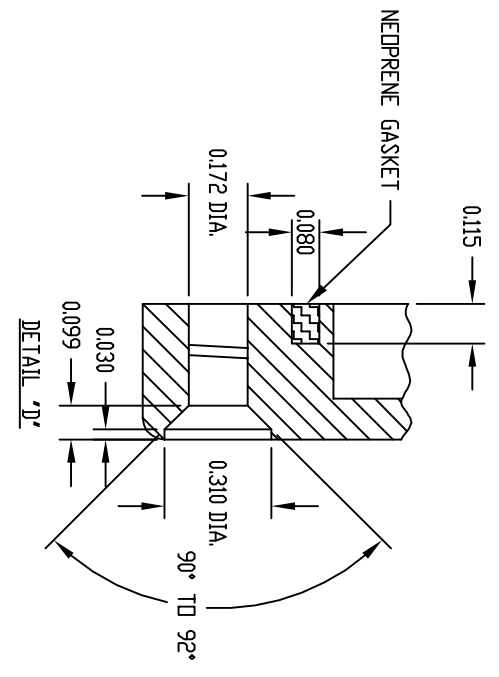
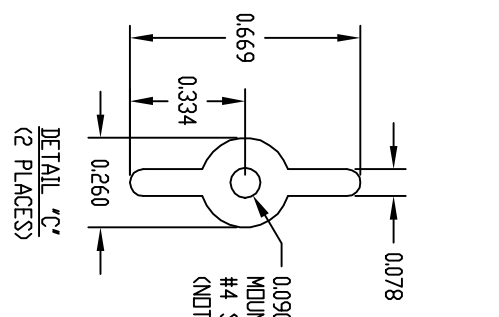


PART NAME: NEMA 4X ENCLOSURE

PART No.: PN-1320, PN-1320-C AND PN-1320-DG

INDUSTRY STANDARDS:

POLYCARBONATE (LIGHT GRAY AND CLEAR)
 UL94V-2 FLAMMABILITY RATING
 (UL FILE #E41613)
 UV STABILIZED
 SERVICE TEMPERATURE RANGE:
 -40°C TD +120°C
 ABS (DARK GRAY)
 UL94-HB FLAMMABILITY RATING
 (UL FILE #E56070)
 SERVICE TEMPERATURE RANGE:
 -40°C TD +80°C



BODY

M4 x 0.315 LG. THREADED INSERT (4) PLACES

COVER

NOTE: ALL DIMENSIONS HAVE ±0.015 TOLERANCE UNLESS OTHERWISE SPECIFIED.

PART NUMBER	MATERIAL		FINISH		HARDWARE KIT
	BODY	COVER	BODY	COVER	
PN-1320	POLYCARBONATE	POLYCARBONATE	LIGHT GRAY	LIGHT GRAY	KIT CONTAINS (4) M4 x 20mm (0.787") LG. SCREWS FOR ASSEMBLY
PN-1320-C	POLYCARBONATE	POLYCARBONATE	LIGHT GRAY	CLEAR	
PN-1320-DG	HIGH-IMPACT ABS	HIGH-IMPACT ABS	DARK GRAY	DARK GRAY	