

PART NAME NEMA 4X ENCLOSURE

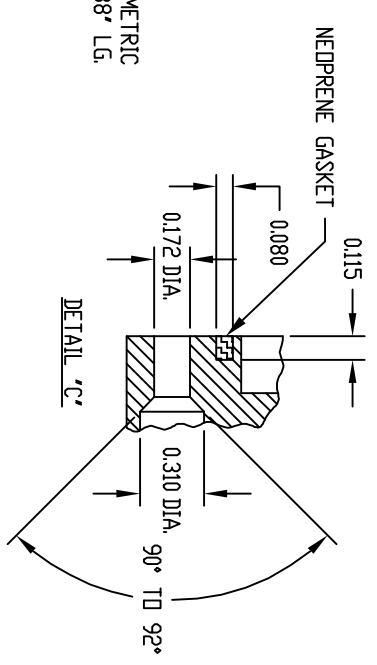
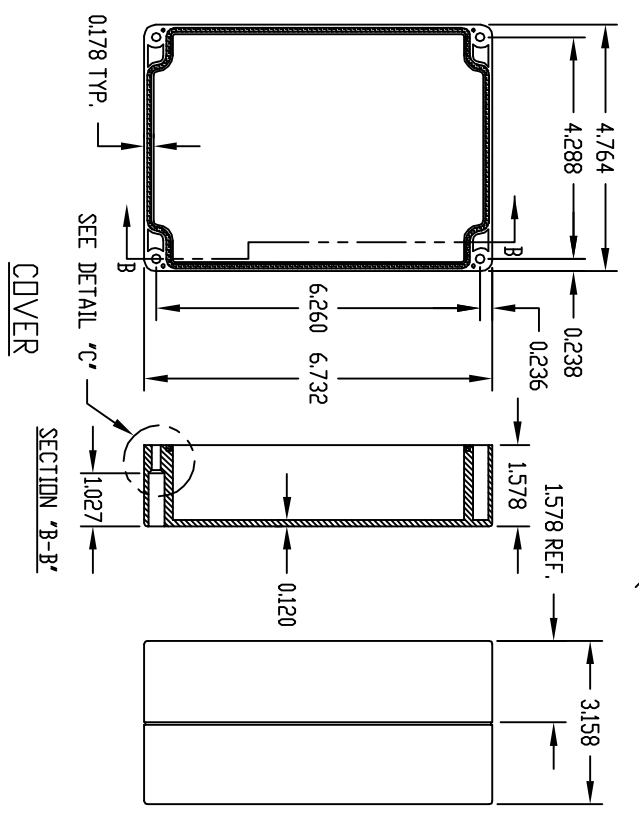
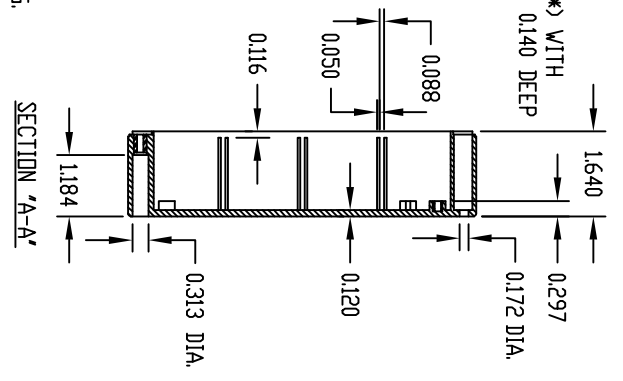
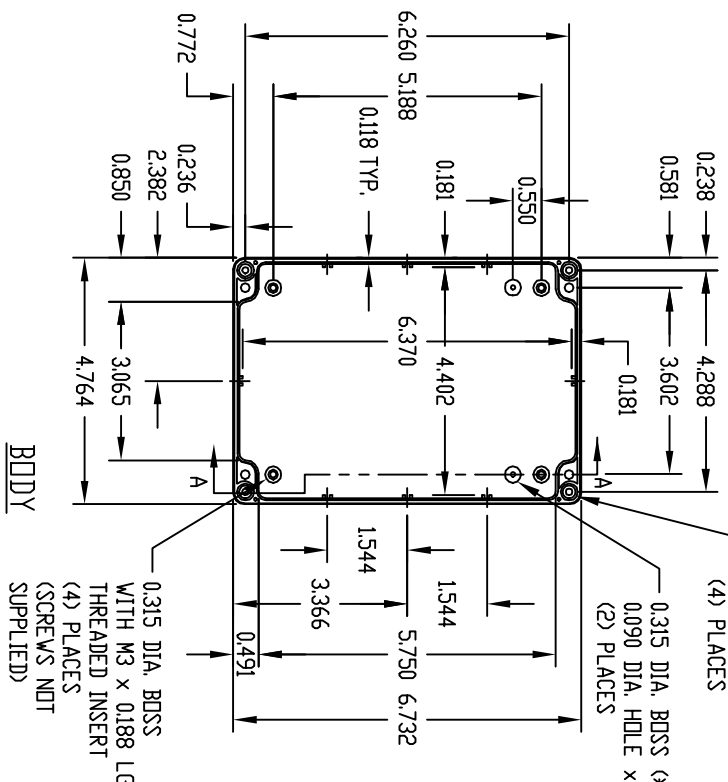
PART No.

PN-1327, PN-1327-C AND PN-1327-DG

INDUSTRY STANDARDS:  
 POLYCARBONATE (LIGHT GRAY AND CLEAR)  
 UL 94V-2 FLAMMABILITY RATING  
 (UL FILE #E41613)  
 UV STABILIZED  
 SERVICE TEMPERATURE RANGE:  
 -40°C TD +120°C

ABS (DARK GRAY)  
 UL 94-HB FLAMMABILITY RATING  
 (UL FILE #E56070)  
 SERVICE TEMPERATURE RANGE:  
 -40°C TD +80°C

(\* MOUNTING BOSSES USE EITHER M2.5 METRIC OR #4 STD. SHEET METAL SCREWS x 0.188" LG. (NOT SUPPLIED)



NOTE: ALL DIMENSIONS HAVE ±0.015 TOLERANCE UNLESS OTHERWISE SPECIFIED.

| PART NUMBER | MATERIAL                                  | FINISH     | HARDWARE KIT                               |
|-------------|---|------------|--|
| PN-1327     | BODY POLYCARBONATE<br>COVER POLYCARBONATE | LIGHT GRAY | M4 x 20mm (0.787") LG. SCREWS FOR ASSEMBLY |
| PN-1327-C   | BODY POLYCARBONATE<br>COVER POLYCARBONATE | LIGHT GRAY | M4 x 20mm (0.787") LG. SCREWS FOR ASSEMBLY |
| PN-1327-DG  | BODY ABS<br>COVER ABS                     | DARK GRAY  | M4 x 20mm (0.787") LG. SCREWS FOR ASSEMBLY |