

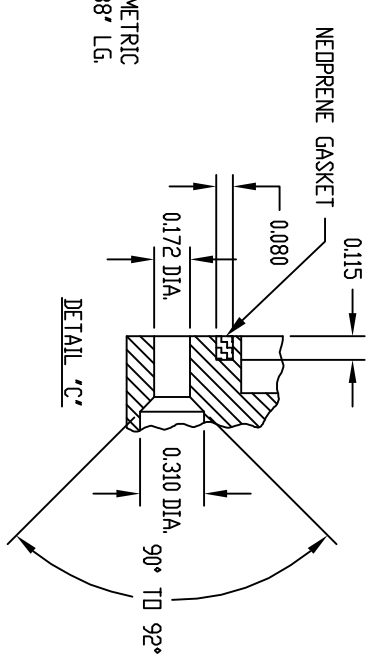
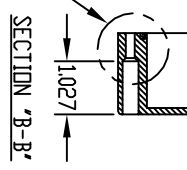
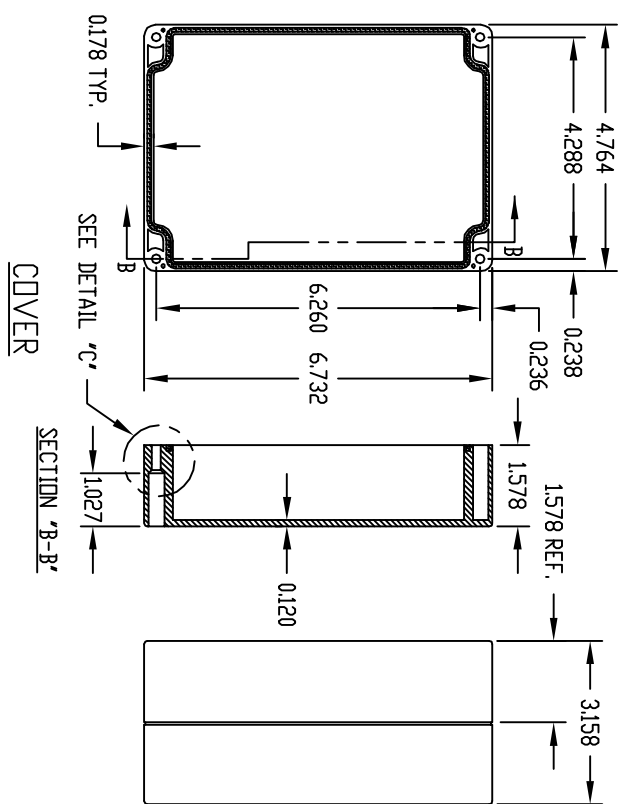
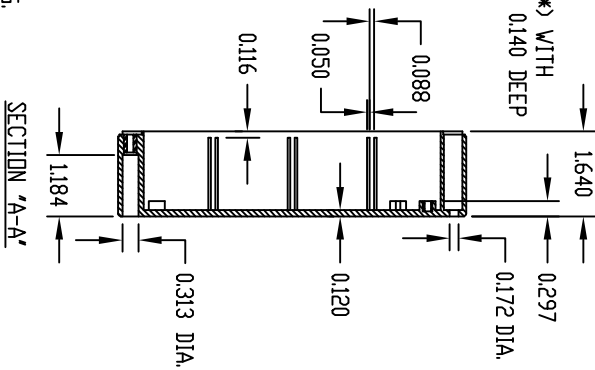
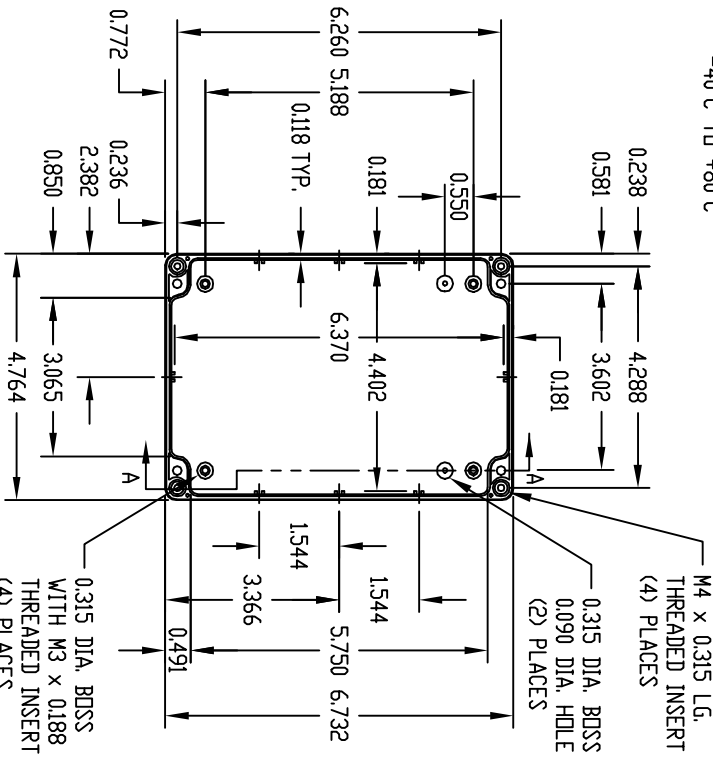
PART NAME NEMA 4X ENCLOSURE

PART No.

PN-1327, PN-1327-C AND PN-1327-DG

INDUSTRY STANDARDS:
 POLYCARBONATE (LIGHT GRAY AND CLEAR)
 UL 94V-2 FLAMMABILITY RATING
 (UL FILE #E41613)
 UV STABILIZED
 SERVICE TEMPERATURE RANGE:
 -40°C TD +120°C

ABS (DARK GRAY)
 UL 94-HB FLAMMABILITY RATING
 (UL FILE #E56070)
 SERVICE TEMPERATURE RANGE:
 -40°C TD +80°C



NOTE: ALL DIMENSIONS HAVE ±0.015 TOLERANCE UNLESS OTHERWISE SPECIFIED.

PART NUMBER	MATERIAL	FINISH	HARDWARE KIT
PN-1327	BODY POLYCARBONATE COVER POLYCARBONATE	BODY LIGHT GRAY COVER LIGHT GRAY	KIT CONTAINS (4) M4 x 20mm (0.787") LG. SCREWS FOR ASSEMBLY
PN-1327-C	BODY POLYCARBONATE COVER POLYCARBONATE	BODY LIGHT GRAY COVER CLEAR	
PN-1327-DG	BODY ABS COVER ABS	BODY DARK GRAY COVER DARK GRAY	