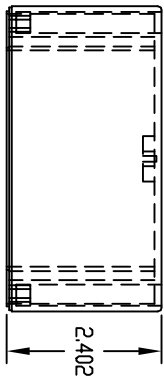


PART NAME: NEMA 4X ENCLOSURE

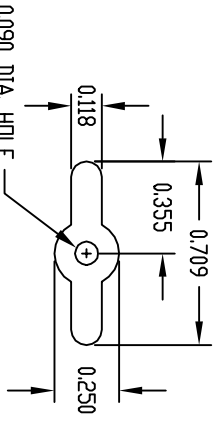
PART No.:

PN-1337, PN-1337-C AND PN-1337-DG

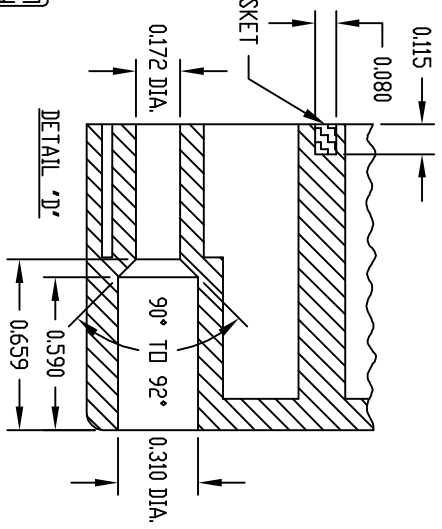
INDUSTRY STANDARDS:
 POLYCARBONATE (LIGHT GRAY AND CLEAR)
 UL 94V-2 FLAMMABILITY RATING (UL FILE #E41613)
 UV STABILIZED
 SERVICE TEMPERATURE RANGE: -40°C TD +120°C
 ABS (DARK GRAY)
 UL 94-HB FLAMMABILITY RATING (UL FILE #E56070)
 SERVICE TEMPERATURE RANGE: -40°C TD +80°C



MOUNTING BOSSES USE EITHER M2.5 METRIC OR #4 STD. SHEET METAL SCREWS x 0.188" LG. (NDT SUPPLIED)

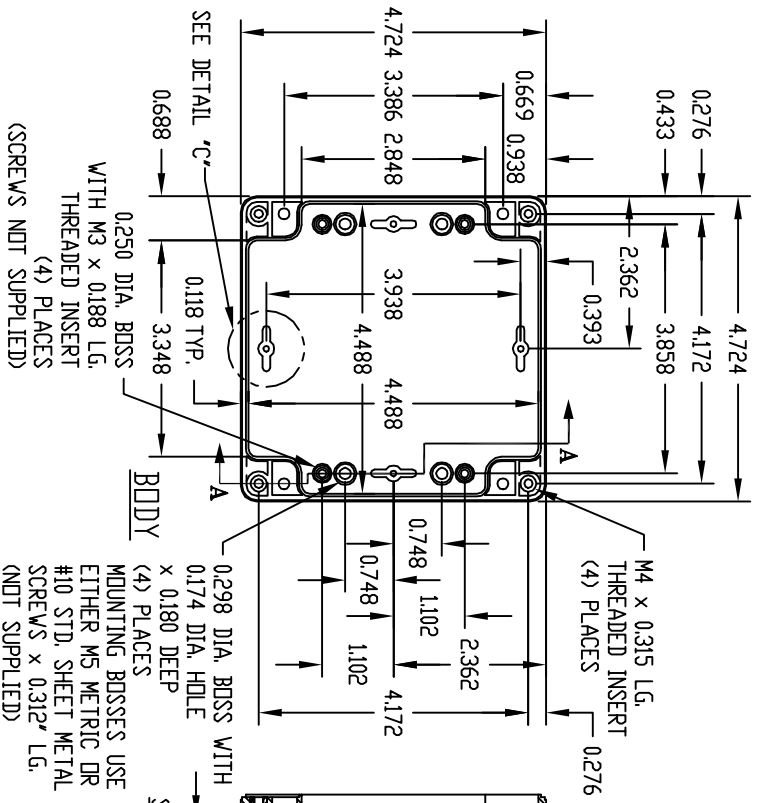


DETAIL 'C' (4) PLACES



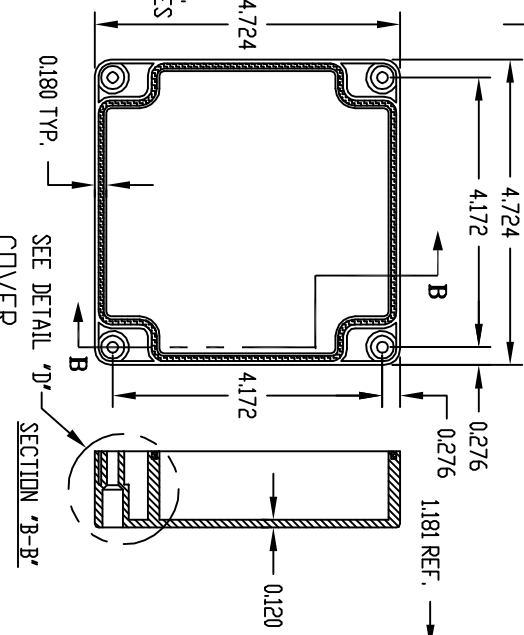
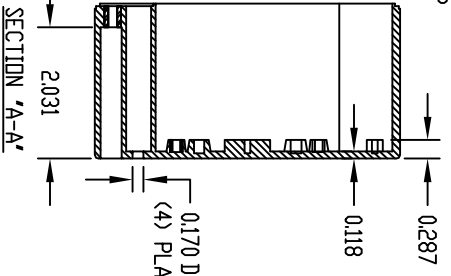
NEOPRENE GASKET

DETAIL 'D'



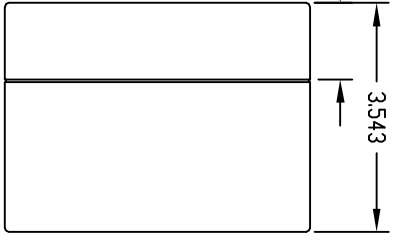
SEE DETAIL 'C'

MOUNTING BOSSES USE EITHER M5 METRIC OR #10 STD. SHEET METAL SCREWS x 0.312" LG. (NDT SUPPLIED)



SEE DETAIL 'D'

SECTION 'B-B'



NOTE: ALL DIMENSIONS HAVE ±0.015 TOLERANCE UNLESS OTHERWISE SPECIFIED.

PART NUMBER	MATERIAL	FINISH	HARDWARE
PN-1337	POLYCARBONATE	LIGHT GRAY	KIT CONTAINS (4) M4 x 20mm (0.787") LG. SCREWS FOR ASSEMBLY
PN-1337-C	POLYCARBONATE	CLEAR	
PN-1337-DG	HIGH-IMPACT ABS	DARK GRAY	