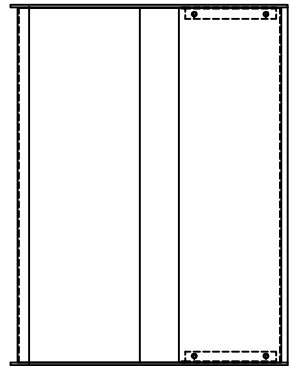


PART NAME

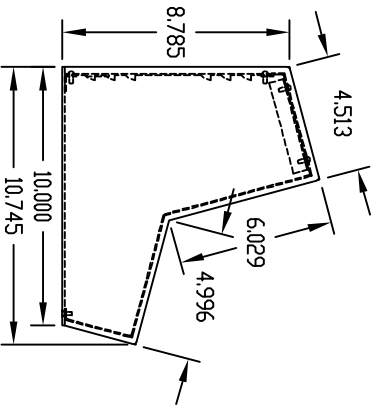
COMPUCAB

PART No.

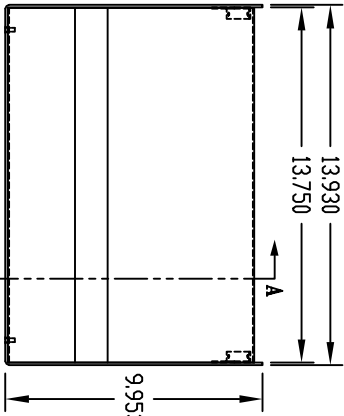
SC-13101



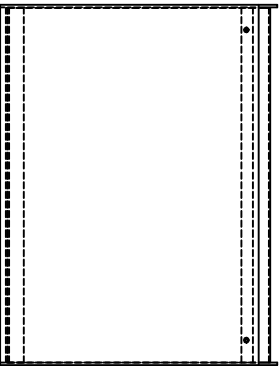
TOP VIEW



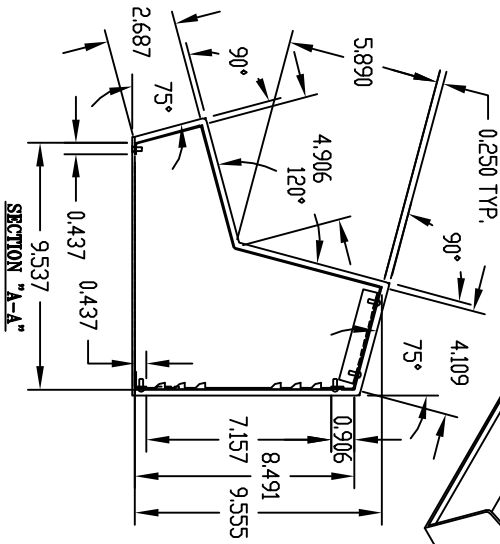
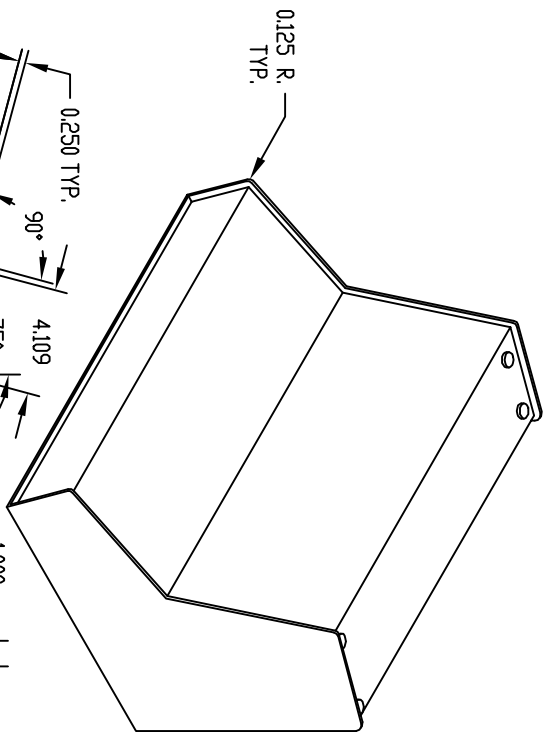
LEFT SIDE VIEW



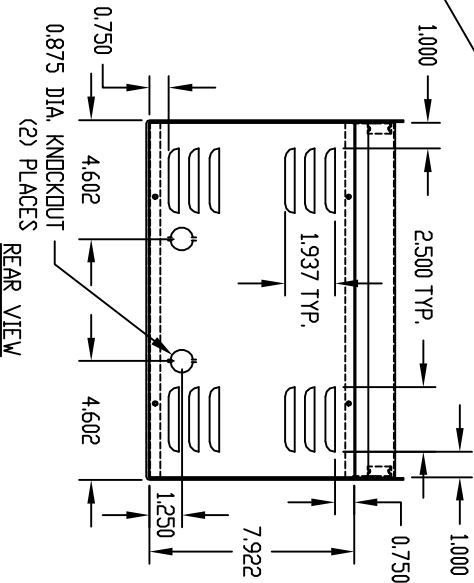
FRONT VIEW



BOTTOM VIEW



SECTION "A-A"



REAR VIEW

**MATERIAL:**

BASE \_\_\_\_\_ 0090 THK. ALUMINUM  
 COVER & BACK PANEL \_\_\_\_\_ 0050 THK. ALUMINUM

**FINISH:**  
 BASE \_\_\_\_\_ BLACK TEXTURED  
 COVER & BACK PANEL \_\_\_\_\_ WHITE (PREPAINTED)  
 FEET \_\_\_\_\_ BLACK

ASSEMBLED WITH TEN (10) #6-32 x 3/8 LG. SCREWS.  
 SUPPLIED WITH FOUR (4) SELF-ADHESIVE FEET.