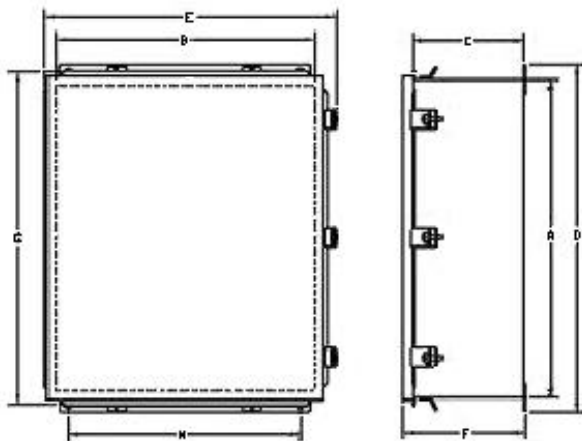




# QUALITY ENCLOSURES

[Home](#)
[Product Catalog](#)
[Representatives](#)
[Search](#)
[Company Info](#)
[Distributors](#)
[What's New](#)
[Contact](#)
[Get A Quote](#)

## NEMA 1, 2, 4, 4X, 12, 13 Boxes (Sheet Metal) **SN-Series NEMA Sheet Metal Boxes**



[Click on Image for Larger View](#)

These sheet metal boxes meet NEMA 1, 2, 4, 4X, 12, 13, and IP65 ratings and can be mounted without need to remove cover and expose internal components.

### **Design Features**

- Made from durable 14 ga. steel (0.078" thick).
- Smooth continuous welded seams.
- External mounting brackets allow the box to be mounted on a wall or panel without having to remove the cover and exposing internal components to the environment.
- Hinged cover clamps to the base with stainless steel brackets and steel screws for a watertight seal.
- Weld nuts for inner panel mounting.
- Bonding studs for grounding are provided on base and door.
- Easily machined and modified to your particular requirements.
- Internal panel and hardware included.
- Tested and listed to UL-508 Type 4x requirements (UL File #E194432)
- Finish: Smooth gray powder coat

■ ■ ■ ■ ■ ■ ■ ■

---

## NEMA 4 SHEET METAL BOX WITH MOUNTING BRACKET

Catalog Number	Drawings	External Dimensions (Base)			External Dimensions (Overall)			Wall Mounting Dimensions		Internal Panel Dimensions		Wgt. Lbs.
		A	B	C	D	E	F	G	H	I	J	
SN-3700	<a href="#">PDF</a> <a href="#">DXF</a>	6.00"	4.00"	3.00"	7.50"	7.07"	3.25"	6.31"	2.00"	4.90"	2.90"	4
SN-3701	<a href="#">PDF</a> <a href="#">DXF</a>	8.00"	6.00"	3.50"	9.50"	9.07"	3.75"	8.31"	4.00"	6.90"	4.90"	7
SN-3702	<a href="#">PDF</a> <a href="#">DXF</a>	6.00"	6.00"	4.00"	7.50"	7.07"	4.25"	6.31"	4.00"	4.90"	4.90"	6
SN-3703	<a href="#">PDF</a> <a href="#">DXF</a>	12.00"	10.00"	5.00"	13.50"	13.07"	5.25"	12.31"	8.00"	10.90"	8.90"	16
SN-3704	<a href="#">PDF</a> <a href="#">DXF</a>	10.00"	8.00"	6.00"	11.50"	11.07"	6.25"	10.31"	6.00"	8.90"	6.90"	12
SN-3705	<a href="#">PDF</a> <a href="#">DXF</a>	12.00"	12.00"	6.00"	13.50"	13.07"	6.25"	12.31"	10.00"	10.90"	10.90"	19
SN-3706	<a href="#">PDF</a> <a href="#">DXF</a>	14.00"	12.00"	6.00"	15.50"	15.07"	6.25"	14.31"	10.00"	12.90"	10.90"	21
SN-3707	<a href="#">PDF</a> <a href="#">DXF</a>	16.00"	14.00"	6.00"	17.50"	17.07"	6.25"	16.31"	12.00"	14.90"	12.90"	27
SN-3708	<a href="#">PDF</a> <a href="#">DXF</a>	14.00"	12.00"	8.00"	15.50"	15.07"	8.25"	14.31"	10.00"	12.90"	10.90"	24
SN-3709	<a href="#">PDF</a> <a href="#">DXF</a>	16.00"	14.00"	10.00"	17.50"	17.07"	10.25"	16.31"	12.00"	14.90"	12.90"	33

[DXF](#) Autocad DXF Specifications File  
(Requires CAD software such as AutoCAD)

[PDF](#) Adobe PDF Specifications File



[Download PDF Viewer](#)

Get A Quote

[Home](#) | [Company Info](#) | [Online Catalog](#) | [Check Stock](#) | [Distributor/Price](#)

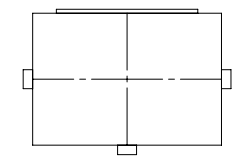
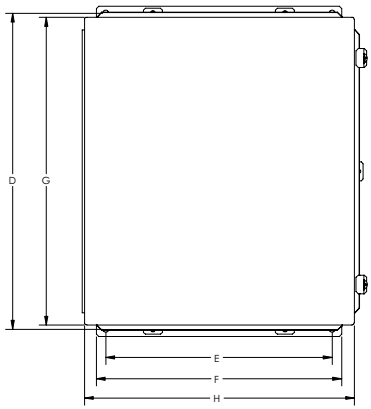
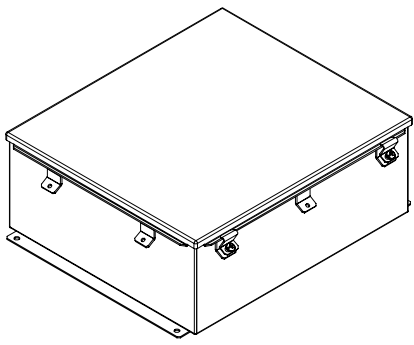
[Reps](#) | [New](#) | [Search](#) | [Contact](#) | [Privacy Policy](#)

**BUD INDUSTRIES INC.**

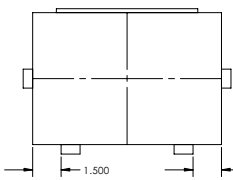
P.O. Box 998  
Willoughby, Ohio 44094

THE INFORMATION CONTAINED IN THIS DRAWING IS THE SOLE PROPERTY OF BUD INDUSTRIES INC. ANY REPRODUCTION IN PART OR WHOLE WITHOUT THE WRITTEN PERMISSION OF BUD INDUSTRIES INC. IS PROHIBITED.

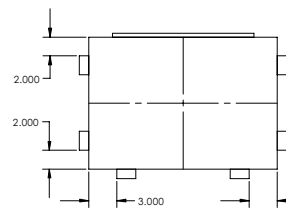
ISSUE	SEE TABLE
REVISIONS	



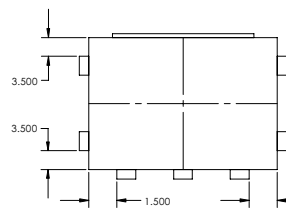
LATCH POSITION FOR  
SN-3700  
SN-3701  
SN-3702



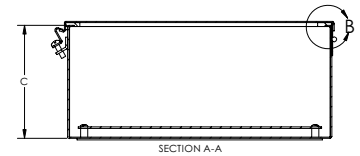
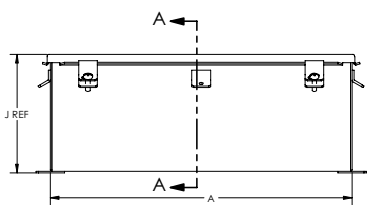
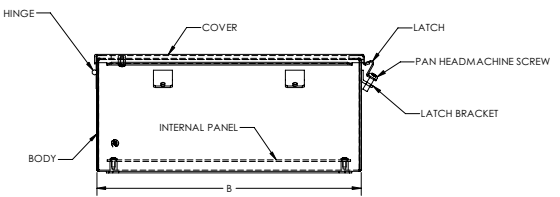
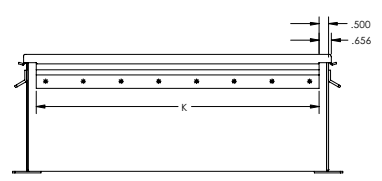
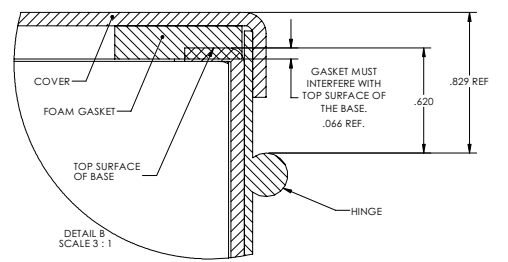
LATCH POSITION FOR  
SN-3704



LATCH POSITION FOR  
SN-3703  
SN-3705  
SN-3706  
SN-3708



LATCH POSITION FOR  
SN-3707  
SN-3709



PART NUMBER	A	B	C	D	E	F	G	H	J	K	# BRACKETS/SCREWS/LATCHES
SN-3700	6.00	4.00	3.00	6.75	2.00	3.00	6.31	4.31	3.25	5.00	3
SN-3701	8.00	6.00	3.50	8.75	4.00	5.00	8.31	6.31	3.75	7.00	3
SN-3702	6.00	6.00	4.00	6.75	4.00	5.00	6.31	6.31	4.25	5.00	3
SN-3703	12.00	10.00	5.00	12.75	8.00	9.00	12.31	10.31	5.25	11.00	6
SN-3704	10.00	8.00	6.00	10.75	6.00	7.00	10.31	8.31	6.25	9.00	4
SN-3705	12.00	12.00	6.00	12.75	10.00	11.00	12.31	12.31	6.25	11.00	6
SN-3706	14.00	12.00	6.00	14.75	10.00	11.00	14.31	12.31	6.25	13.00	6
SN-3707	16.00	14.00	6.00	16.75	12.00	13.00	16.31	14.31	6.25	15.00	7
SN-3708	14.00	12.00	8.00	14.75	10.00	11.00	14.31	12.31	8.25	13.00	6
SN-3709	16.00	14.00	10.00	16.75	12.00	13.00	16.31	14.31	10.25	15.00	7

PARTS LIST		BUD INDUSTRIES INC.	
QUANTITY	DESCRIPTION	DATE	BY
1	NEMA HINGED ENCLOSURE	1/13/06	DP
AS NOTED			
SEE SPEC.			