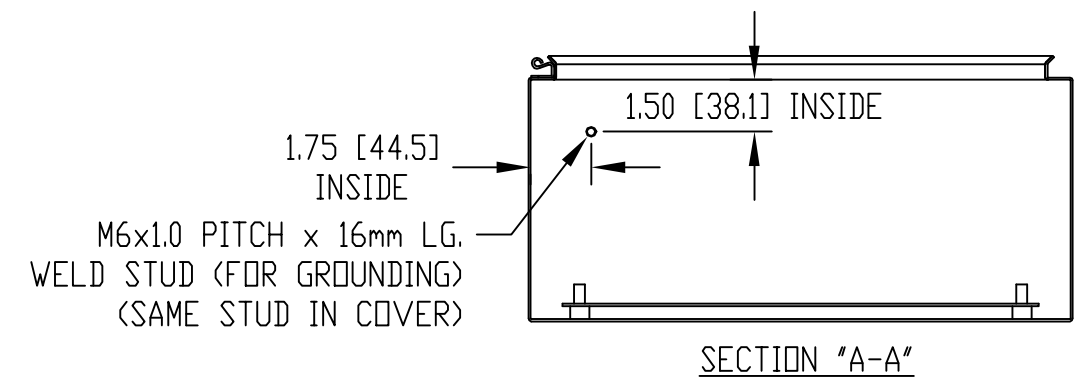


MATERIAL:  
 BODY & COVER - 16 GA. [1.5mm] TYPE 304 STAINLESS STEEL  
 INTERNAL PANEL - 14 GA. [2.0mm] C.R.S.  
 WALL MTG. BRKTS - 14 GA. [2.0mm] TYPE 430 STAINLESS STEEL

HINGE PIN



"A"	"B"	"C"	"D"	"E"	"F"	"G"	"H"	"J"	"K"	"L"	"M"
9.84 [250]	7.87 [200]	5.91 [150]	5.33 [135.4]	11.12 [282.3]	6.42 [163]	8.25 [209.6]	6.28 [159.6]	6.89 [175]	4.92 [125]	8.46 [215]	5.91 [150]
7.87 [200]	5.91 [150]	5.91 [150]	5.33 [135.4]					4.92 [125]	2.95 [75]		
7.87 [200]	7.87 [200]	3.98 [101]	3.40 [86.4]					4.92 [125]	4.92 [125]		
9.84 [250]	9.84 [250]	5.91 [150]	5.33 [135.4]					6.89 [175]	6.89 [175]		
9.84 [250]	7.87 [200]	3.98 [101]	3.40 [86.4]					6.89 [175]	4.92 [125]		