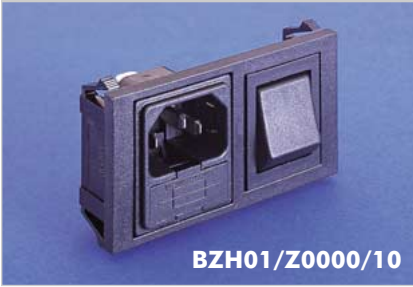
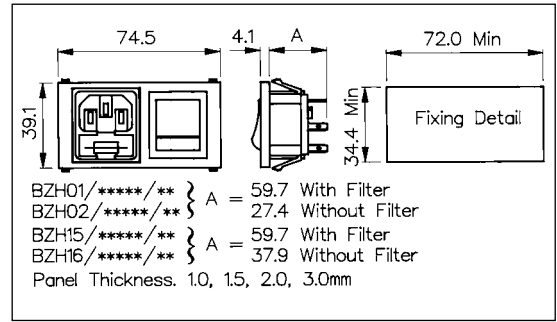


C14 IEC Fused Inlet - Horizontal

HORIZONTAL MODULE ARRANGEMENT



- Fused Inlet with 2.8mm or 6.3mm tags
- Double Pole Switch Variations
- Filtered Inlet Option
- Options of I/O marked switches



How to Order

**BZH xx / xxxxx / xx**

**Type of Inlet / Outlet | Filtered or Non Filtered Inlet | Combination of Other Components**

Single Fused C14 Power Inlet (cold condition), 2.8 or 6.3mm tabs:

- 01** = PF0011/63
- 02** = PF0011/28

Twin Fused C14 Power Inlet (cold condition), 2.8 or 6.3mm tabs:

- 15** = PF0033/63
- 16** = PF0033/28

Z0000 = Non Filtered  
 Axxxx = Standard  
 Bxxxx = Medical  
 Cxxxx = High Performance Standard (Single Fuse Version only)

For Filtered inlet use 6th to 9th characters from filter ordering code see pages 115-118.  
 E.g. BZH01/**A0620**/10

- Neon Indicator:  
**03** = Red Neon Indicator
- Double Pole Switch:  
**10** = D.P. Switch
- Double Pole Neon Switch:  
**11** = D.P. Red Neon Switch  
**12** = D.P. Green Neon Switch
- Double Pole High Inrush Switch:  
**13** = D.P. High Inrush Switch
- Double Pole Switch marked I/O:  
**70** = D.P. Switch (I/O)
- Double Pole Neon Switch Marked (I/O):  
**76** = D.P. Red Neon Switch (I/O)  
**77** = D.P. Green Neon Switch (I/O)
- Double Pole High Inrush Switch Marked (I/O):  
**78** = D.P. High Inrush Switch (I/O)  
**B1** = D.P. High Inrush Green Neon Switch (I/O)

Note: For technical details of individual components please see page 92