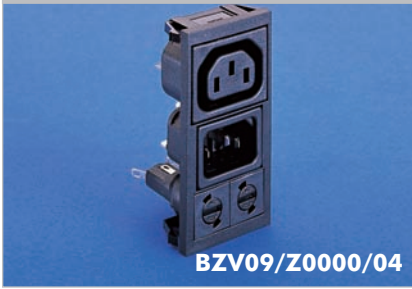
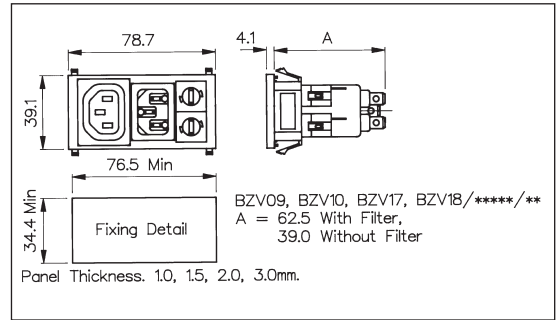


C14 IEC Inlet/Sheet F IEC Outlet - Vertical

VERTICAL MODULE ARRANGEMENT



- Inlet/Outlet Combination
- 2.8mm or 6.3mm tags
- Filtered Inlet and Blanking Plate options
- Shuttered or Non-shuttered Outlet
- Fused



How to Order

BZV xx / xxxxx / xx

Type of Inlet / Outlet	Filtered or Non Filtered Inlet	Combination of Other Components
<p>C14 Power Inlet (cold condition) and Sheet F Non-shuttered Power Outlet, 2.8 or 6.3mm tabs:</p> <p>09 = PX0575/63 + PX0695/63 10 = PX0575/28 + PX0695/28</p> <p>C14 Power Inlet (cold condition) and Sheet F Shuttered Power Outlet, 2.8 or 6.3mm tabs:</p> <p>17 = PX0575/63 + PX0783/63 18 = PX0575/28 + PX0783/28</p>	<p>Z0000 = Non Filtered Axxxx = Standard Bxxxx = Medical</p> <div style="border: 1px solid black; padding: 5px; margin-top: 20px;"> <p>For Filtered inlet use 6th to 9th characters from filter ordering code see pages 125-126. E.g. BZV09/A0120/04</p> </div>	<p>Twin Fuseholder: 04 = 2 x FX0359</p> <p>Voltage Selector and Fuseholder: 14 = 1 x VS0001 + 1 x FX0359</p> <p>Voltage selector and Neon: 37 = 1 x VS0001 + DX0928/110V/Red 38 = 1 x VS0001 + DX0928/110V/Green 39 = 1 x VS0001 + DX0928/250V/Red 40 = 1 x VS0001 + DX0928/250V/Green</p> <p>Fuseholder and Neon: 41 = 1 x FX0359 + DX0928/110V/Red 42 = 1 x FX0359 + DX0928/110V/Green 43 = 1 x FX0359 + DX0928/250V/Red 44 = 1 x FX0359 + DX0928/250V/Green</p> <p>Fuseholder and Blanking Plate: 45 = 1 x FX0359 + Blanking Plate</p> <p>Voltage Selector and Blanking Plate: B2 = 1 x VS0001 + Blanking Plate</p>

Note: For technical details of individual components please see page 106