


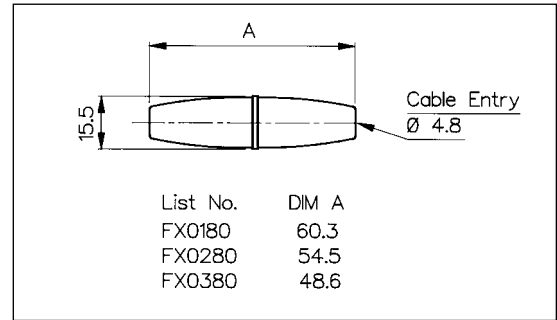
**In-Line PC1 and In-Line Sealed to IP66, PC1**

**IN-LINE**




**FX0180, FX0280, FX0380**

- Protection Category PC1
- Fuse Sizes 5 x 20mm, 6.3 x 25mm and 6.3 x 32mm
- Screw Terminal (Solder to order)
- 10A, 50V (250V Inaccessible)
- UL Approved
- Clear or black

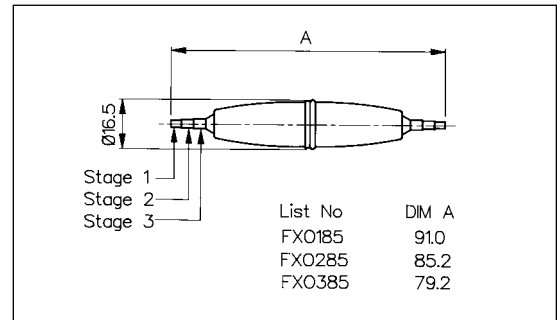




**IN-LINE**



**FX0185, FX0285, FX0385**

- Sealed to IP66
- Protection Category PC1
- Fuse Sizes 5 x 20mm, 6.3 x 25mm and 6.3 x 32mm
- Screw Terminal (Solder to order)
- 10A, 50V (250V Inaccessible)
- UL Approved
- Clear or black



Specification	FX0180, FX0280, FX0380/Colour	FX0185, FX0285, FX0385/Colour
<b>Fuse Size:</b>	5 x 20mm FX0380 6.3 x 25mm FX0280 6.3 x 32mm FX0180	5 x 20mm FX0385 6.3 x 25mm FX0285 6.3 x 32mm FX0185
<b>Cable Acceptance:</b>	1mm <sup>2</sup> conductor (max.)	1mm <sup>2</sup> conductor (max.) 1mm to 2.64mm overall diameter Stepped grommet: Stage 1: 1.00mm to 1.40mm Stage 2: 1.50mm to 1.90mm Stage 3: 2.0mm to 2.64mm
<b>Terminations:</b>	Screw terminal (solder to order)	Screw Terminal (solder to order)
<b>Max. Rating:</b>	10A, 50V (250V where inaccessible inside equipment)	10A, 50V (250V where inaccessible inside equipment)
<b>Insulation Resistance:</b>	> 10 <sup>5</sup> MΩ @ 500V d.c.	> 10 <sup>5</sup> MΩ @ 500V d.c.
<b>High Voltage Proof Test:</b>	2kV (50Hz for 1 minute)	2kV (50Hz for 1 minute)
<b>Contact Resistance:</b>	< 10mΩ	< 10mΩ
<b>Operating Temp.:</b> (ambient air temp + fuse temp rise)	-20°C to +90°C	-20°C to +70°C
<b>Sealing:</b>		Protection Classification IP66 BS60529: 1992
<b>Mouldings:</b>		
Body - Clear:	Polybutene UL94HB rated	Polybutene UL94HB rated
Body - Black:	Nylon 6 UL94V-0 rated	Nylon 6 UL94V-0 rated
Grommet:		PVC
O Ring:		Nitrile
<b>Contacts:</b>		
Terminals:	Brass, Nickel Plated	Brass, Nickel Plated
Grub Screw:	Stainless Steel	Stainless Steel
<b>Approvals:</b>		
<b>Colour:</b>	Clear - no suffix, /BK - Black	Clear - no suffix, /BK - Black
<b>RoHS</b>	Compliant	Compliant