

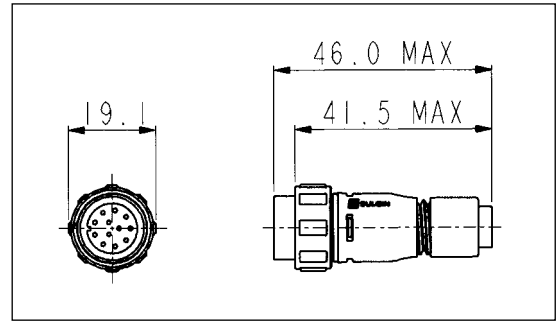
400 Series Buccaneer®

BUCCANEER

FLEX CABLE CONNECTOR



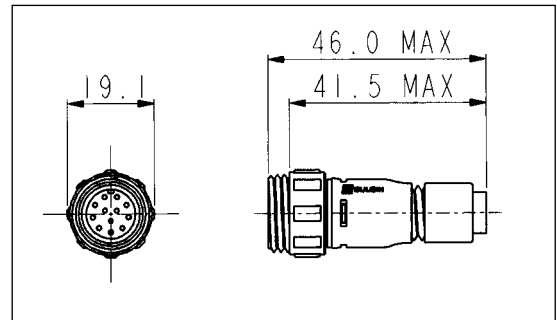
- Mates with Flex In-line or Panel mounting versions PX0411, PX0412 & PX0413
- Screw locking ring
- Contacts supplied separately



IN-LINE FLEX CABLE CONNECTOR



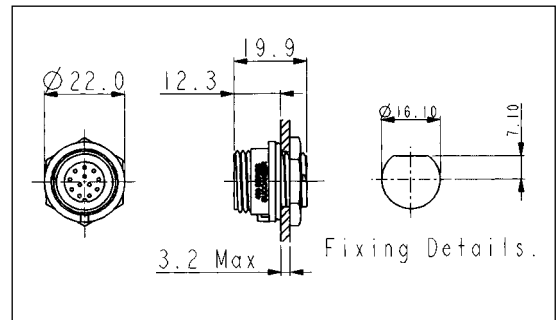
- Mates with Flex Cable connector PX0410
- For in-line cable connection
- Contacts supplied separately



FRONT PANEL MOUNTING CONNECTOR



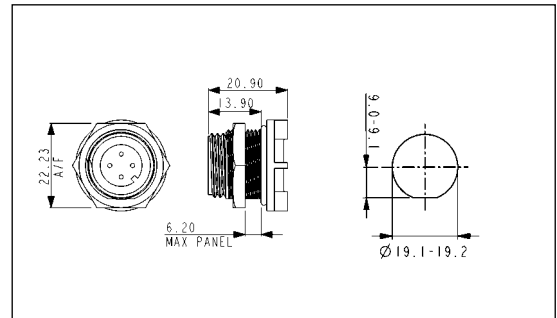
- Mates with Flex Cable connector PX0410
- Front Panel mounting
- Single hole fixing
- Contacts supplied separately



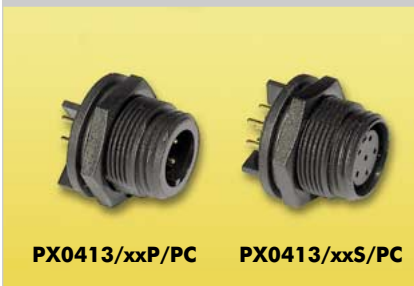
REAR PANEL MOUNTING CONNECTOR



- Mates with Flex Cable connector PX0410
- Rear Panel mounting
- Single hole fixing
- Contacts supplied separately
- 4, 6, 8, 10 or 12 pole



PCB MOUNTING CONNECTOR



- Mates with Flex Cable connector PX0410
- PCB Rear Panel mounting
- Straight PC spills
- Supplied with pre-loaded gold plated contacts
- 4, 6, 8, 10 or 12 pole

