



# IP68 Sealed - Mini USB Buccaneer

The Mini USB Buccaneer provides a compact solution for USB connections in industrial environments.

Utilising the industry standard Mini 'B' connection for the panel connection, the latest in the USB Buccaneer range offers a secure secure, robust connection performing to USB V2.0, where dust or water could prove detrimental to system operation. The system is fully shielded providing good levels of noise immunity and EMI protection. Cables are fully overmoulded construction offering secure, tamper-proof connections.

### Features

IP68 rated	dust & waterproof to EN60529
USB V2.0	data rates up to 400Mbps
Shielded system	high noise immunity
Overmoulded cables	tamperproof construction
Screw coupling	secure, proven locking

### Specification

Sealing	IP68, to EN60529
Poles	5
Current rating	1A
Voltage rating	30Vac, 42Vdc
Contact plating	50 micron gold
Contact resistance	50Ω
Mating cycles	5,000
Connector body	UL94V-0 rated
Temperature rating	-20°C to +70°C
Performance	USB V2.0
RoHS	Compliant

### SEALED MINI USB CABLES - SINGLE ENDED



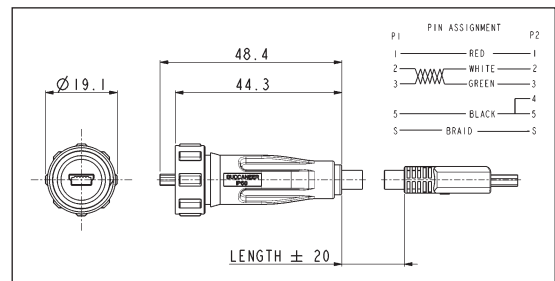
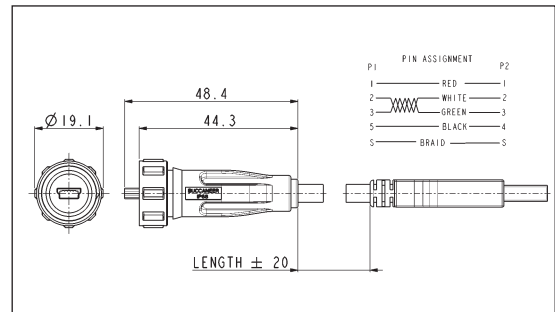
**PX0441**

- Standard 'A' type to sealed Mini 'B' type
- Fully overmoulded construction
- Available in 2, 3 & 4.5m lengths
- Mates with PX0443, PX0446 & PX0447



**PX0442**

- Mini 'A' type to sealed mini 'B' type
- Fully overmoulded construction
- Available in 2, 3 & 4.5m lengths
- Mates with PX0443, PX0446 & PX0447



Part No.	Description	Length
PX0441/2M00	IP68 mini 'B' to Std 'A' type USB	2.0m
PX0441/3M00	IP68 mini 'B' to Std 'A' type USB	3.0m
PX0441/4M50	IP68 mini 'B' to Std 'A' type USB	4.5m
PX0442/2M00	IP68 mini 'B' to Mini 'A' type USB	2.0m
PX0442/3M00	IP68 mini 'B' to Mini 'A' type USB	3.0m
PX0442/4M50	IP68 mini 'B' to Mini 'A' type USB	4.5m

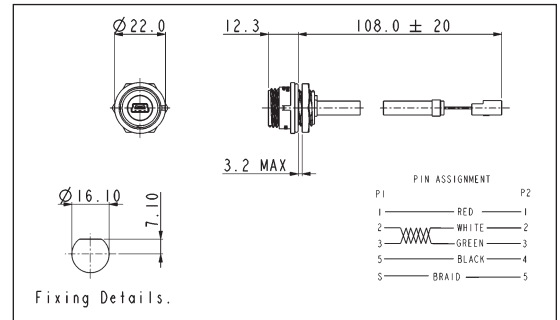
Mini USB Buccaneer®

**FRONT PANEL MOUNTING CONNECTOR**



**PX0443**

- Mini 'B' type
- Leaded with 5 way crimp, for use with PC header
- Mates with PX0441 & PX0442 type cables



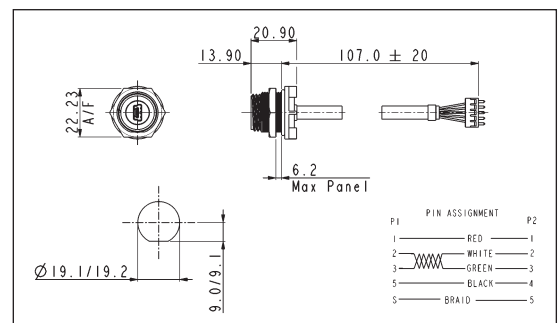
Part No.	Description
PX0443	IP68 B type Mini USB, front panel mounted. 5 way crimp connector at rear.

**REAR PANEL MOUNTING CONNECTOR**



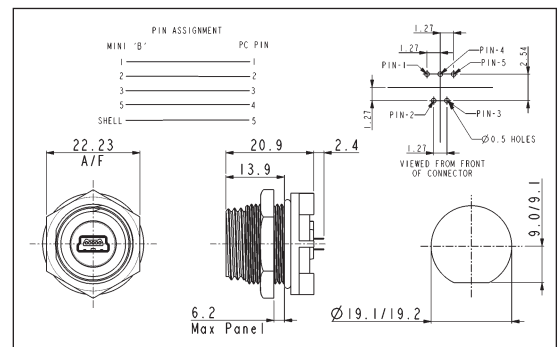
**PX0446**

- Mini 'B' type
- Leaded with 5 way header
- Mates with PX0441 & PX0442 type cables



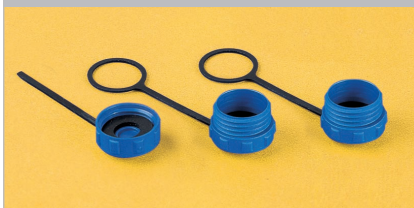
**PX0447**

- Mini 'B' type
- With pins for direct PC mounting
- Mates with PX0441 & PX0442 type cables



Part No.	Description
PX0446	IP68 B type Mini USB, rear panel mounted. 5 way header connector at rear.
PX0447	IP68 B type Mini USB, rear panel mounted. PC terminals at rear.

**ACCESSORIES**



- Sealing caps to maintain IP rating when connectors are not in use
- 5 way headers for use with PX0443

Part No.	Description
PX0485	Sealing cap for use with PX0441 and PX0442
PX0480	Sealing cap for use with PX0443
PX0484	Sealing cap for use with PX0446 & PX0447
14191	5 way straight header
14192	5 way right angle header