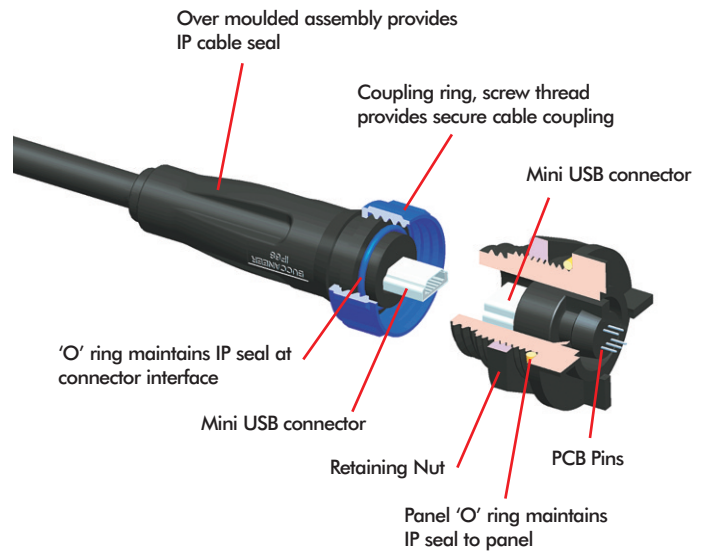


# Sealed - Mini USB Buccaneer



BUCCANEER DATA

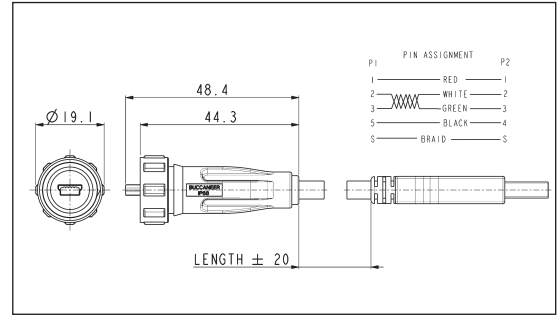
- IP68 rated
- IP69K rated
- USB V2.0 performance
- Plug and play capability
- Shielded system
- Overmoulded cables
- Screw coupling
- PCB versions
- ▶ Dust and waterproof to EN60529
- ▶ Dust and waterproof to DIN 40050-9
- ▶ Data rates up to 480Mbps
- ▶ Hot pluggable, standard 4 pole interface
- ▶ High noise immunity
- ▶ Tamperproof construction
- ▶ Secure, proven locking system
- ▶ Direct mounting or via adaptor leads

## Mini USB Buccaneer

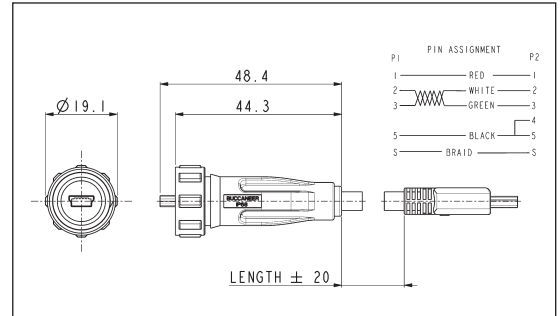
### SEALED MINI USB CABLES - SINGLE ENDED



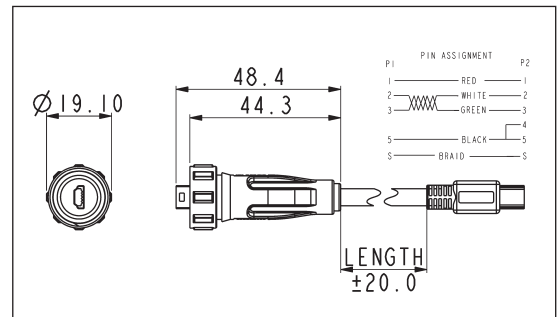
- Standard 'A' type to sealed Mini 'B' type
- Fully overmoulded construction
- Available in 2, 3 & 4.5m lengths
- Mates with PX0443, PX0446, PX0447, PX0456, PX0457 & PX0458



- Mini 'A' type to sealed mini 'B' type
- Fully overmoulded construction
- Available in 2, 3 & 4.5m lengths
- Mates with PX0443, PX0446, PX0447, PX0456, PX0457 & PX0458



- Mini 'B' type to Sealed Mini 'A' type
- Fully overmoulded construction
- Available in 2, 3 & 4.5m lengths
- Mates with PX0456, PX0457 & PX0458



Part No.	Description	Length
PX0441/2M00	Sealed mini 'B' to Std 'A' type USB	2.0m
PX0441/3M00	Sealed mini 'B' to Std 'A' type USB	3.0m
PX0441/4M50	Sealed mini 'B' to Std 'A' type USB	4.5m
PX0442/2M00	Sealed mini 'B' to Mini 'A' type USB	2.0m
PX0442/3M00	Sealed mini 'B' to Mini 'A' type USB	3.0m
PX0442/4M50	Sealed mini 'B' to Mini 'A' type USB	4.5m
PX0444/2M00	Sealed mini 'A' to Mini 'B' type USB	2.0m
PX0444/3M00	Sealed mini 'A' to Mini 'B' type USB	3.0m
PX0444/4M50	Sealed mini 'A' to Mini 'B' type USB	4.5m

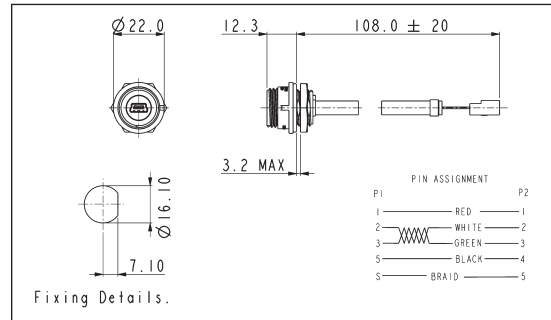
## Mini USB Buccaneer

### FRONT PANEL MOUNTING CONNECTOR



PX0443

- Mini 'B' type
- Leaded with 5 way crimp, for use with PC header
- Mates with PX0441 & PX0442 type cables



#### Part No.

#### Description

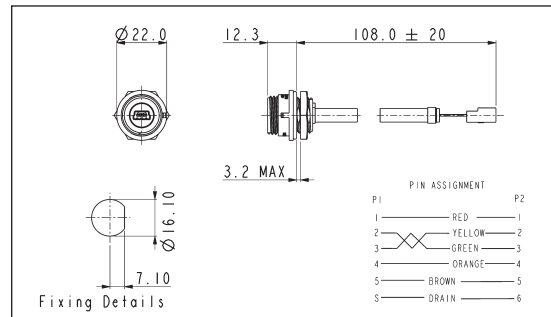
PX0443	Sealed B type Mini USB, front panel mounted. 5 way crimp connector at rear.
PX0459	As PX0443 with exposed braid for use with PX0464 screening can

### FRONT PANEL MOUNTING CONNECTOR



PX0456

- Mini 'AB' type
- Leaded with 6 way crimp, for use with PC header
- Mates with PX0441, PX0442 & PX0444 type cables



#### Part No.

#### Description

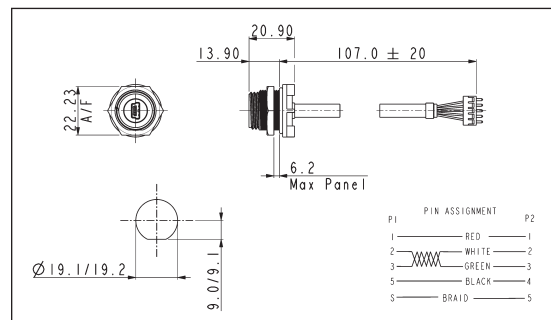
PX0456	Sealed AB type Mini USB, front panel mounted. 6 way crimp connector at rear.
--------	--

### REAR PANEL MOUNTING CONNECTOR



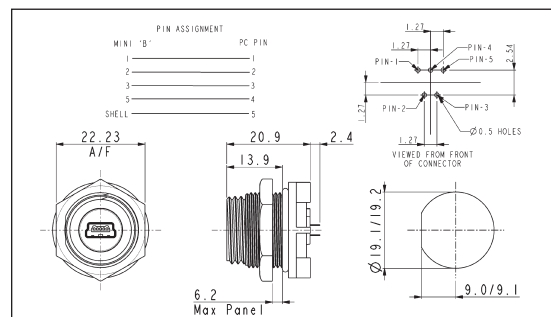
PX0446

- Mini 'B' type
- Leaded with 5 way header
- Mates with PX0441 & PX0442 type cables



PX0447

- Mini 'B' type
- With pins for direct PC mounting
- Mates with PX0441 & PX0442 type cables



#### Part No.

#### Description

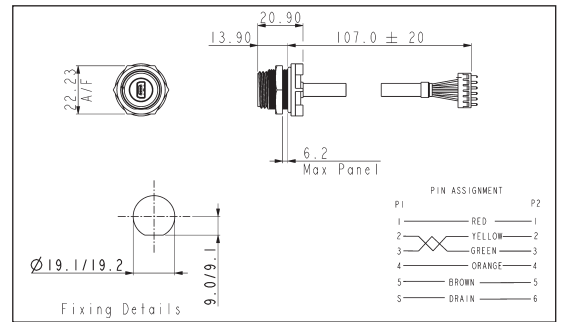
PX0446	Sealed B type Mini USB, rear panel mounted. 5 way header connector at rear.
PX0447	Sealed B type Mini USB, rear panel mounted. PC terminals at rear.

## Mini USB Buccaneer

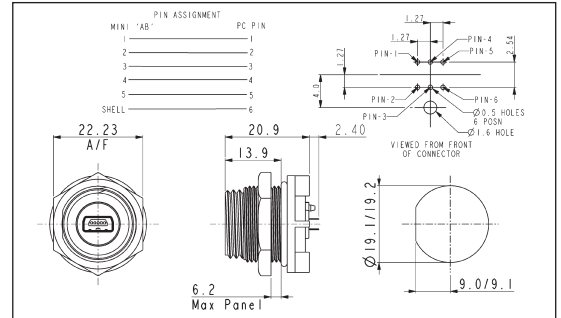
### REAR PANEL MOUNTING CONNECTOR



- Mini 'AB' type
- Leaded with 6 way header
- Mates with PX0441, PX0442 & PX0444 type cables

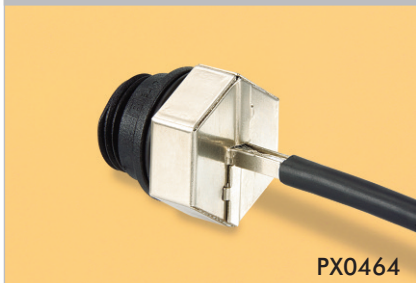


- Mini 'AB' type
- With pins for direct PC mounting
- Mates with PX0441, PX0442 & PX0444 type cables

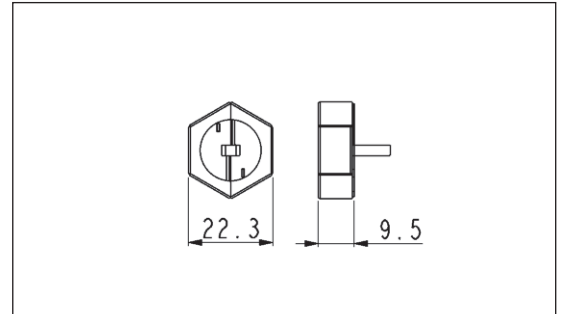


Part No.	Description
PX0457	Sealed AB type Mini USB, rear panel mounted. 6 way header connector at rear.
PX0458	Sealed AB type Mini USB, rear panel mounted. PC terminals at rear.

### SCREENING CAN



- Maintains cable screening directly to panel
- Shielding can clips around the panel fixing nut
- For use on PX0459



### ACCESSORIES



- Sealing caps to maintain IP rating when connectors are not in use
- PCB headers for use with PX0443 & PX0456

Part No.	Description
PX0485	Sealing cap for use with PX0441, PX0442 & PX0444
PX0480	Sealing cap for use with PX0443 & PX0456
PX0484	Sealing cap for use with PX0446, PX0447, PX0457 & PX0458
14191	5 way straight header
14192	5 way right angle header
14563	6 way straight header
14564	6 way right angle header

## Mini USB Buccaneer

### SPECIFICATION

#### Cables & connectors

<b>Mechanical</b>	
Sealing	IP68, EN60529 IP69K, DIN 40050-9
Operating temperature	0°C to +70°C

<b>Electrical</b>	
No. of poles	4 and 5
Current rating	1A
Voltage rating	30Vac, 42Vdc
Contact resistance	50mΩ max.
Performance	USB version 2.0

#### Materials - Overmoulded

Overmould material	PVC (black)
Flammability rating	UL94V-0

#### Materials - Re-wireable and Panel Connectors

Shell material	Steel
Shell plating	Nickel
Contact material	Copper Alloy
Contact plating	50 micro inch Gold
Connector body & locking ring	Polyester
Panel connector	Nylon 6
Flammability rating	UL94V-0
'O' rings	Silicon
Panel Gasket	Silicon
Mating cycles	5,000
<b>RoHS</b>	Compliant

#### Materials - cable

Cable Jacket	PVC (black)
Screen	Tinned copper braid
Flammability	UL94V-0
<b>RoHS</b>	Compliant

Length:	Dia	Conductors Signal	Conductors Power
2m	4.8mm	2 x 28AWG	2 x 24AWG
3m	5.0mm	2 x 28AWG	2 x 22AWG
5m	5.2mm	2 x 25AWG	2 x 20AWG

#### Cable construction - PX0441, PX0442, PX0444

