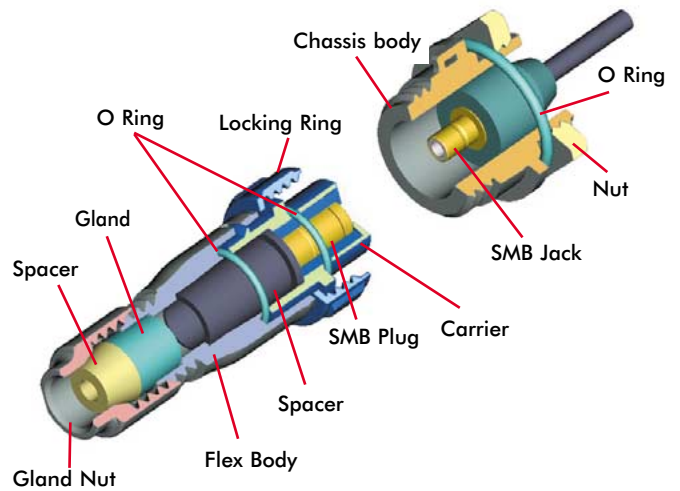


SMB Buccaneer®



IP68



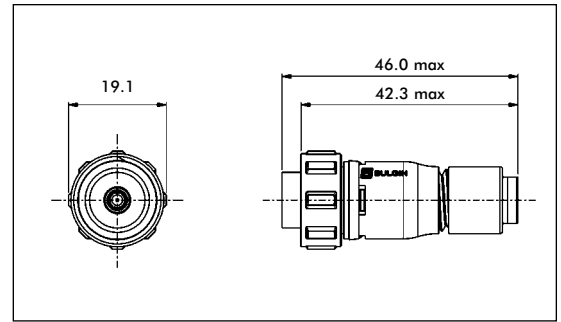
- Sealed to IP68 when mated
- 50Ω Impedance SMB connector
- Frequency range 0-4GHz
- Contact resistance
 - centre - 6mΩ max.
 - outer - 2.5mΩ max.
- Gold plated contacts
- Diameter over coupling ring 19mm
- Body moulding, Nylon UL94-V0 rated
- Two versions of Flex Connector
 - re-wireable
 - pre-wired - lengths 1m, 3m & 5m
- Panel connector
 - pre-wired - lengths 0.5m, 1m & 1.5m
- Cable accommodation (flex re-wireable), RG-174
- Cable type (pre-wired connectors), RG-174

RE-WIREABLE FLEX CONNECTOR



PX0415/1

- Mates with Panel connector (PX0414)
- Re-wireable connector
- For RG-174 cable
- Supplied with SMB plug



Part no. | Description

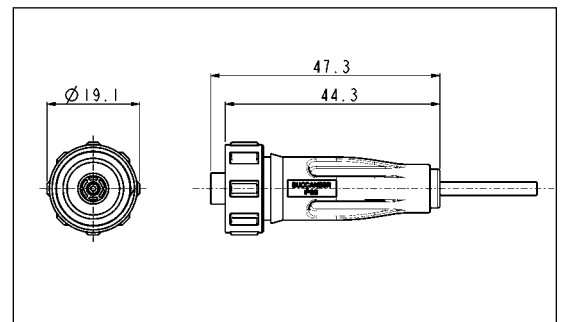
PX0415/1 | Re-wireable connector with SMB Plug - for RG-174 cable

PRE-WIRED FLEX CONNECTOR



PX0416/xMxx

- Mates with Panel connector (PX0414)
- Pre-wired
- Overmoulded construction
- Supplied with SMB plug terminated with RG-174 cable
- 1m, 3m & 5m cable lengths



Part no. | Description

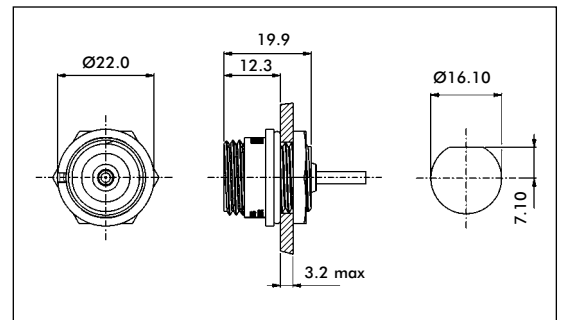
PX0416/1M00 | Overmoulded connector with SMB plug - cable length 1m
 PX0416/3M00 | Overmoulded connector with SMB plug - cable length 3m
 PX0416/5M00 | Overmoulded connector with SMB plug - cable length 5m

PANEL MOUNTING CONNECTOR



PX0414/xMxx

- Mates with Flex connectors (PX0415, PX0416)
- Single hole fixing
- Supplied with SMB jack terminated with RG-174 cable



Part no. | Description

PX0414/0M50 | Panel connector with SMB jack - cable length 0.5m
 PX0414/1M00 | Panel connector with SMB jack - cable length 1m
 PX0414/1M50 | Panel connector with SMB jack - cable length 1.5m

SEALING CAPS AND ACCESSORIES



PX0480 PX0481 PX0485

Part no. | Description

PX0480 | Sealing cap for PX0414 chassis connector
 PX0481 | Sealing cap for PX0415 re-wireable flex connectors
 PX0485 | Sealing cap for PX0416 overmoulded flex connector
 14319 | Hand crimp tool for SMB

SMB Buccaneer®

SPECIFICATION

Electrical:

| | |
|-----------------------|---------------|
| Impedance: | 50Ω |
| Frequency Range: | 0-4GHz |
| Contact Resistance: | |
| Centre: | 6mΩ (max.) |
| Outer: | 2.5mΩ (max.) |
| Insulator Resistance: | 1000MΩ (max.) |

Mechanical:

| | |
|-----------------------------|----------------|
| Sealing: | IP68, EN 60529 |
| Cable Acceptance: | RG-174 |
| Insertion/Withdrawal Force: | |
| Insertion Force: | 36N |
| Withdrawal Force: | 36N |
| Cable Retention Force: | 18N |
| Mating Cycles: | 500 |
| Operating Temperature: | -20°C to +80°C |

Material:

| | |
|-----------------------|---|
| PX0415/1 and PX0414 | |
| Body Mouldings: | Polyamide |
| Flammability Rating: | UL94V-0 |
| UV Resistance: | To EN 50021:1999 |
| PX0416 | |
| Body Mouldings: | PVC |
| Flammability Rating: | UL94V-0 |
| O Rings: | Nitrile |
| Panel Sealing O Ring: | Nitrile |
| SMB Connector | |
| Body: | Brass to QQ-B-626, Gold Plated |
| Centre Contact: | |
| Plug: | Brass to QQ-B-626, Gold Plated |
| Jack: | Beryllium Copper to QQ-B-530, Gold Plated |
| Insulator: | Teflon |
| Crimp Ferrules: | Annealed Copper |
| RoHS | Compliant |