

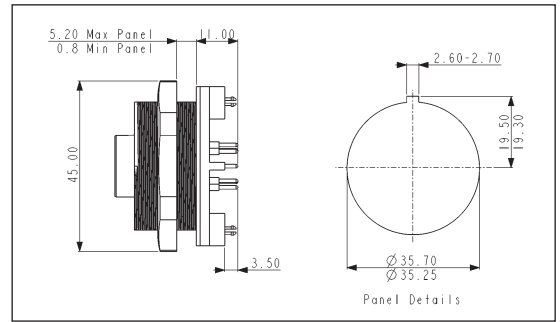
Standard Buccaneer®

PCB MOUNTING CONNECTOR

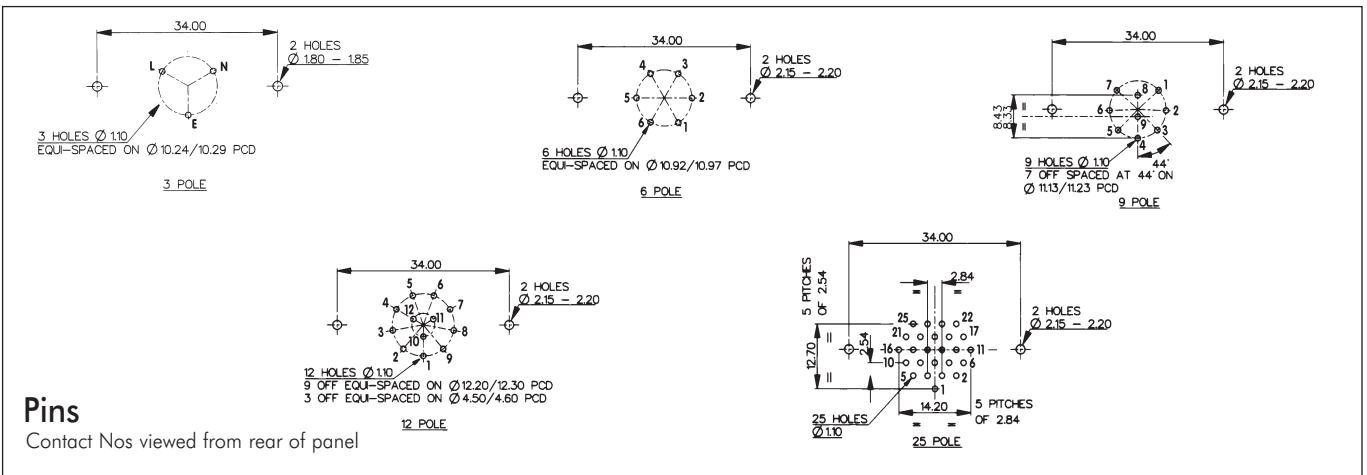
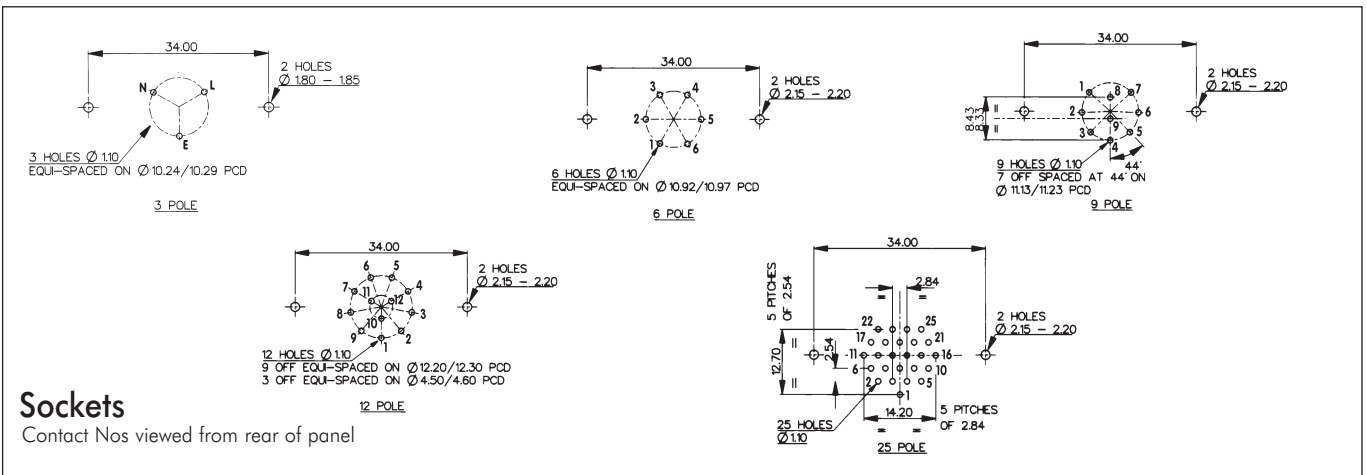


PX0707/P/12

- Rear panel mounting
- No. poles: 3, 6, 9, 12 or 25
- Pin or socket versions
- Pre-loaded Gold Plated contacts

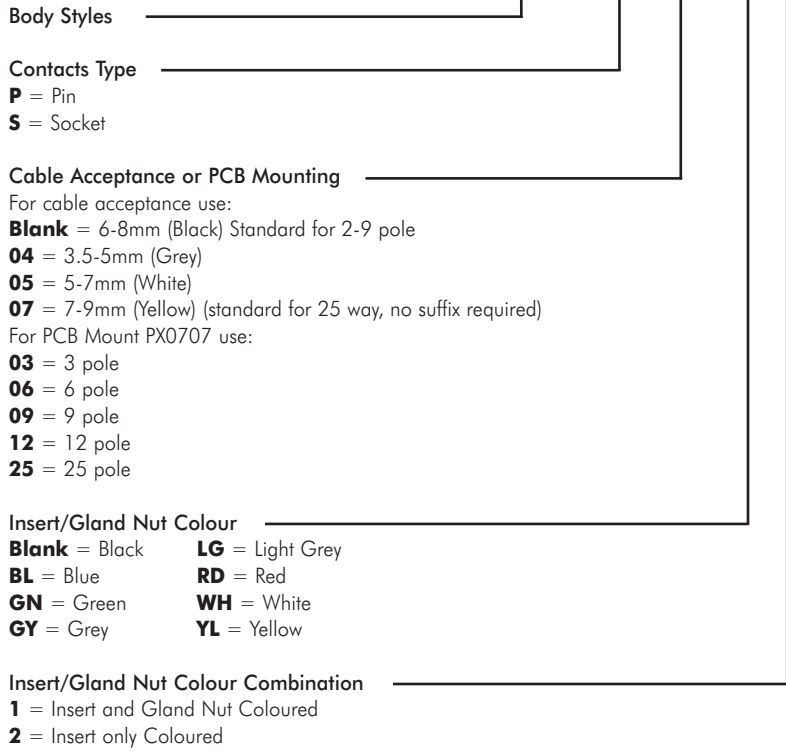


BUCCANEER



PART NO SYSTEM

PX0xxx / x / xx / xx x



Example:
 PX0707/P/06= PCB Panel connector, pin contacts, 6 pole, black