

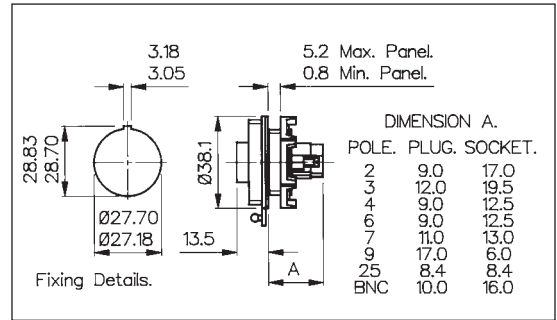
Standard Buccaneer®

PANEL MOUNTING CONNECTOR



PX0730/P

- Mates with Flex Cable Connector
- Single Hole Fixing
- Pin or Socket Versions
- Poles 2, 3, 4, 6, 7, 9, 25 or BNC



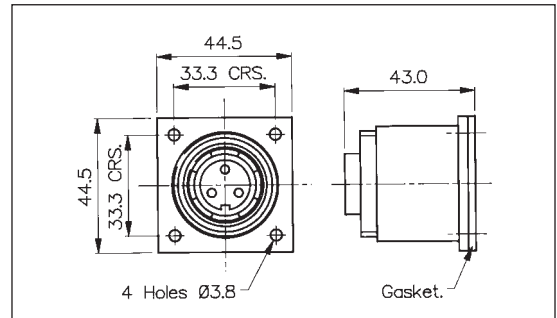
Poles	Termination	Pin Contacts	Socket Contacts	Contacts
2	Screw	PX0735/P	PX0735/S	Supplied Fitted
3	Screw	PX0730/P	PX0730/S	Supplied Fitted
4	Screw	PX0747/P	PX0747/S	Supplied Fitted
6	Screw	PX0738/P	PX0738/S	Supplied Fitted
7	Screw	PX0744/P	PX0744/S	Supplied Fitted
9	Crimp	PX0727/P	PX0727/S	Supplied Loose
25	Crimp/Solder	PX0822/P	PX0822/S	Order Separately
50ΩBNC	Crimp		PX0741/S/50Ω	Supplied Loose
75ΩBNC	Crimp		PX0741/S/75Ω	Supplied Loose

BULKHEAD FLANGE MOUNTING CONNECTOR



PX0756/S

- Mates with Flex Cable Connector
- Screw Fixing Flange
- Pin or Socket Versions
- Poles 2, 3, 4, 6, 7, 9, 25 or BNC
- Supplied with sealing gasket and screw sealing grommets



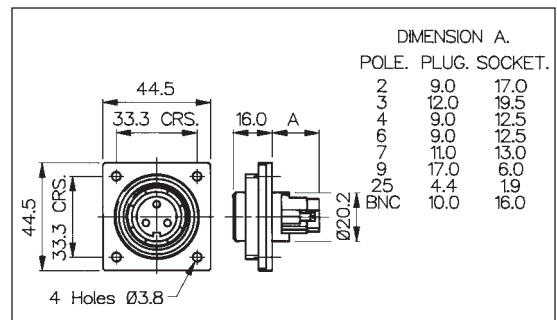
Poles	Termination	Pin Contacts	Socket Contacts	Contacts
2	Screw	PX0757/P	PX0757/S	Supplied Fitted
3	Screw	PX0756/P	PX0756/S	Supplied Fitted
4	Screw	PX0761/P	PX0761/S	Supplied Fitted
6	Screw	PX0758/P	PX0758/S	Supplied Fitted
7	Screw	PX0760/P	PX0760/S	Supplied Fitted
9	Crimp	PX0762/P	PX0762/S	Supplied Loose
25	Crimp/Solder	PX0823/P	PX0823/S	Order Separately
50ΩBNC	Crimp		PX0759/S/50Ω	Supplied Loose
75ΩBNC	Crimp		PX0759/S/75Ω	Supplied Loose

LOW PROFILE FLANGE MOUNTING CONNECTOR



PX0765/S

- Screw Flange Fixing
- Pin or Socket Versions
- Poles 2, 3, 4, 6, 7, 9, 25 or BNC
- Mates with Flex Cable Connector
- Supplied with sealing gasket and screw sealing grommets



Poles	Termination	Pin Contacts	Socket Contacts	Contacts
2	Screw	PX0764/P	PX0764/S	Supplied Fitted
3	Screw	PX0765/P	PX0765/S	Supplied Fitted
4	Screw	PX0766/P	PX0766/S	Supplied Fitted
6	Screw	PX0767/P	PX0767/S	Supplied Fitted
7	Screw	PX0768/P	PX0768/S	Supplied Fitted
9	Crimp	PX0769/P	PX0769/S	Supplied Loose
25	Crimp/Solder	PX0824/P	PX0824/S	Order Separately
50ΩBNC	Crimp		PX0763/S/50Ω	Supplied Loose
75ΩBNC	Crimp		PX0763/S/75Ω	Supplied Loose

Standard Buccaneer®

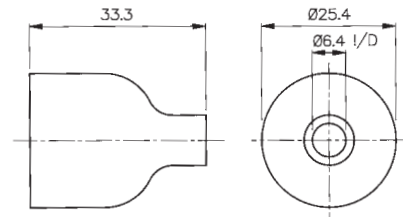
PVC INSULATION BOOT



PNo. 12855

- Protects Rear of the Connector
- Flammability Rating UL94V-0
- Fits Panel Mount Versions only

12855 for panel mounting types only.



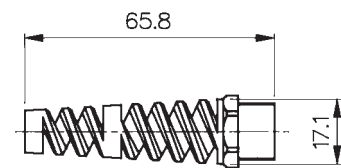
CABLE SUPPORT ACCESSORY



PNo. 12237

- Gives Extra Support to the Cable
- Suitable for 5-7mm and 7-9mm Cable Diameters

12237 provides additional cable support. Suitable for 5-7mm and 7-9mm cables.



SPECIFICATION

Electrical:

No. Poles:	2, 3	4	6, 7	9	25
Current Rating:	10A	6A	3A	5A	1A
Voltage Rating (ac/dc):	250V	250V	250V	150V	50V
Contact Resistance:	< 10mΩ (2-9 Pole) < 5mΩ (25 Pole)				
Insulation Resistance:	> 10 ⁹ MΩ @ 500V d.c. (2-9 Pole)				
AC Breakdown voltage:	4kV Pole - Pole (2-9 Pole) 6kV Poles - Panel (Low Profile Flange and Panel Types - 2-9 Pole) 7.5kV Poles - Panel (Other Types - 2-9 Pole)				
Operating Temp. Range:	-20°C to +70°C				
Approvals:					

Material:

Body Mouldings:	Glass Filled Polyamide UL94HB
Inserts (2-9 pole):	Glass Filled Polyamide UL94HB
Inserts (25 pole):	Polyamide UL94V-0
Contacts:	
Screw Terminal:	Brass, Nickel Plated
Crimp (9 pole):	Copper Alloy, Tin Plated
Crimp/Solder (25 Pole):	Copper Alloy, Gold Plated (0.1µm on Nickel)
BNC inserts:	Brass, Nickel Plated
BNC contacts:	Brass, Silver Plated

Mechanical:

Sealing:	IP68, BS 5490 : 1977 Tested @ 1.054Kg/sq.cm. (15lb/sq.in.) 10m depth for 2 weeks. BSEN 60529 : 1992 Tested @ 9.84Kg/sq.cm. (140lb/sq.in.) 100m depth for 12 hours.
Cable Acceptance:	2-9 Pole - standard gland: 6-8mm dia 2-9 Pole - alternative glands: 3.5-9mm dia 25 Pole - standard gland: 7-9mm dim 25 Pole - alternative glands: 3.5-7mm dim BNC 50Ω: RG 58/CU, URM43 & URM76 BNC 75Ω: URM70
Contact Accommodation:	2 and 3 pole: 4mm ² (12AWG) max 4, 6 and 7 pole: 1.5mm ² (16AWG) max 9 pole: 0.12-0.21mm ² (24-26AWG) 25 pole: 0.12-0.21mm ² (24-26AWG)
Terminations:	2-7 Pole: Screw Terminals 9 Pole: Crimp Contacts 25 Pole: Crimp & Solder Contacts
Tightening Torques:	Flex Mounting/In-Line: Gland Nut; 1.13Nm (10lbf.in.) Panel Mounting: Rear Fixing Nut; 1.7Nm (15lbf.in.) Surface/Bulkhead and Low Profile Flange Mounting: 4 Fixing Screws (using washers supplied) 0.34Nm (3lbf.in.) Sealings Caps/Locking Ring: 1.13Nm (10lbf.in.)