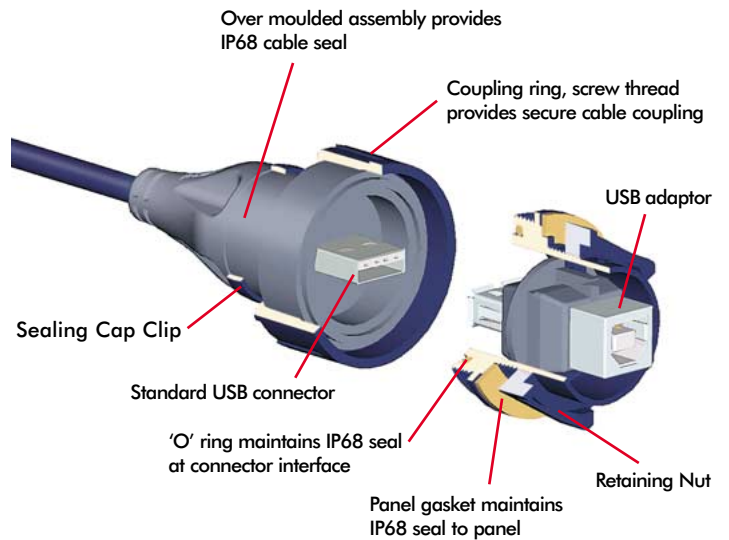


# USB Buccaneer®



BUCCANEER

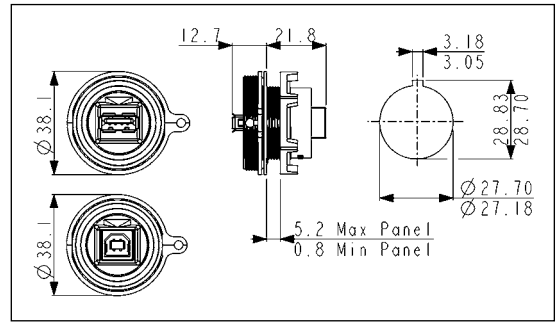
- IP68 rated
- USB version 2.0 performance
- Plug and play capability
- Visual mating indication
- Shielded system
- Single and double ended cables
- Through panel sealing versions
- Screw coupling
- PCB versions
- ▶ Dust and waterproof sealing when mated
- ▶ Low and high speed bus connection, 1.5Mbps to 480Mbps
- ▶ Hot pluggable, standard 4 pole interface
- ▶ Alignment indicator reduces risk of damage during mating
- ▶ High noise immunity and EMI protection
- ▶ Suitable for PC and peripheral configuration
- ▶ Maintains sealing integrity of product
- ▶ Secure, proven locking system
- ▶ Direct mounting or via adaptor leads

**USB Buccaneer®**

**FRONT PANEL MOUNTING CONNECTOR**



- PX0842/A - USB 'A' type IP68 connector
- PX0842/B - USB 'B' type IP68 connector
- Opposite connector to rear of panel
- Through panel sealed version
- Mates with PX0840 and

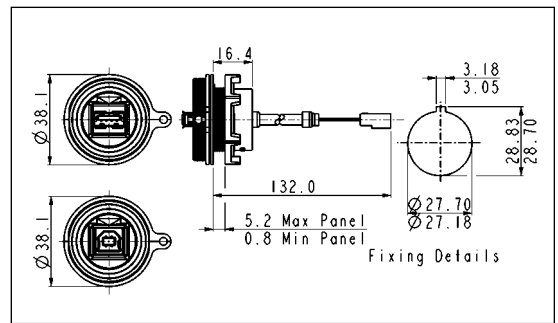


Part No.	Description
PX0842/A	IP68 A type USB, front panel mounted. Sealed A type at front of panel, standard B type at rear.
PX0842/A/TP	IP68 A type USB, front panel mounted. Sealed A type at front of panel, standard B type at rear. Through panel sealed.
PX0842/B	IP68 B type USB, front panel mounted. Sealed B type at front of panel, standard A type at rear.
PX0842/B/TP	IP68 B type USB, front panel mounted. Sealed B type at front of panel, standard A type at rear. Through panel sealed.

**FRONT PANEL MOUNTING CONNECTOR**



- PX0843/A - USB 'A' type IP68 connector
- PX0843/B - USB 'B' type IP68 connector
- Leaded with 5 way crimp connector
- Through panel sealed version
- Mates with PX0840 and PX0841 cable connectors

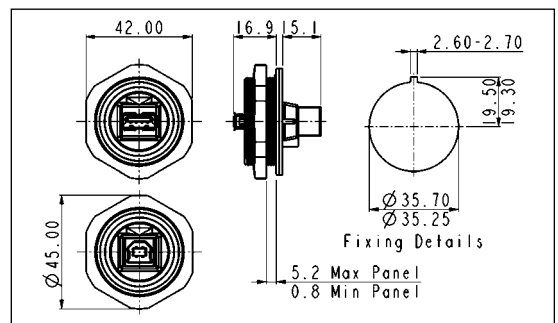


Part No.	Description
PX0843/A	IP68 A type USB, front panel mounted. Sealed A type at front of panel, 5 way crimp connector at rear.
PX0843/A/TP	IP68 A type USB, front panel mounted. Sealed A type at front of panel, 5 way crimp connector at rear. Through panel sealed.
PX0843/B	IP68 B type USB, front panel mounted. Sealed B type at front of panel, 5 way crimp connector at rear.
PX0843/B/TP	IP68 B type USB, front panel mounted. Sealed B type at front of panel, 5 way crimp connector at rear. Through panel sealed.

**REAR PANEL MOUNTING CONNECTOR**



- PX0848/A - USB 'A' type IP68 connector
- PX0848/B - USB 'B' type IP68 connector
- Opposite connector to rear of panel
- Through panel sealed version
- Mates with PX0840 and PX0841



Part No.	Description
PX0848/A	IP68 A type USB, rear panel mounted. Sealed A type at front of panel, standard B type at rear.
PX0848/A/TP	IP68 A type USB, rear panel mounted. Sealed A type at front of panel, standard B type at rear. Through panel sealed.
PX0848/B	IP68 B type USB, rear panel mounted. Sealed B type at front of panel, standard A type at rear.
PX0848/B/TP	IP68 B type USB, rear panel mounted. Sealed B type at front of panel, standard A type at rear. Through panel sealed.

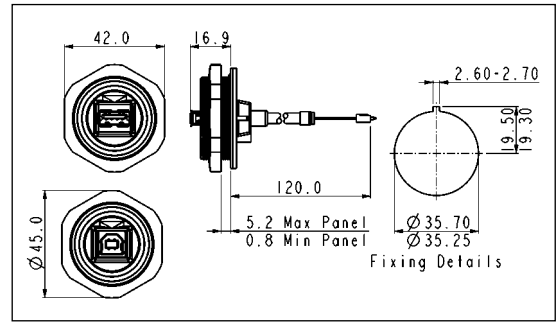
BUCCANEER

USB Buccaneer®

REAR PANEL MOUNTING CONNECTOR



- PX0849/A - USB 'A' type IP68 connector
- PX0849/B - USB 'B' type IP68 connector
- Leaded with 5 way header
- Through panel sealed version
- Mates with PX0840 and

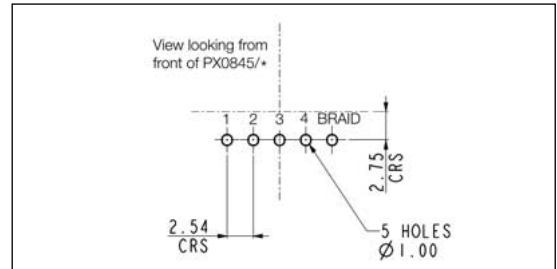
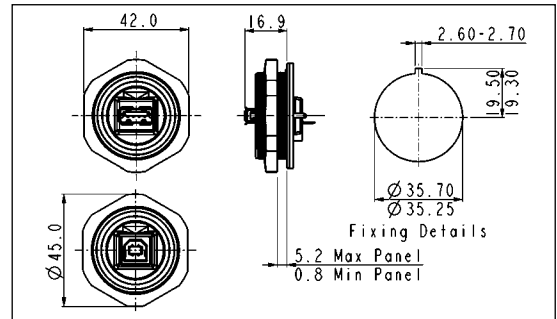


Part No.	Description
PX0849/A	IP68 A type USB, rear panel mounted. Sealed A type at front of panel, 5 way header at rear.
PX0849/A/TP	IP68 A type USB, rear panel mounted. Sealed A type at front of panel, 5 way header at rear. Through panel sealed.
PX0849/B	IP68 B type USB, rear panel mounted. Sealed B type at front of panel, 5 way header at rear.
PX0849/B/TP	IP68 B type USB, rear panel mounted. Sealed B type at front of panel, 5 way header at rear. Through panel sealed.

REAR PANEL MOUNTING CONNECTOR - PCB DIRECT MOUNT



- PX0845/A - USB 'A' type IP68 connector
- PX0845/B - USB 'B' type IP68 connector
- PCB contacts at rear
- Direct PCB mount
- Mates with PX0840 and PX0841 cable connectors

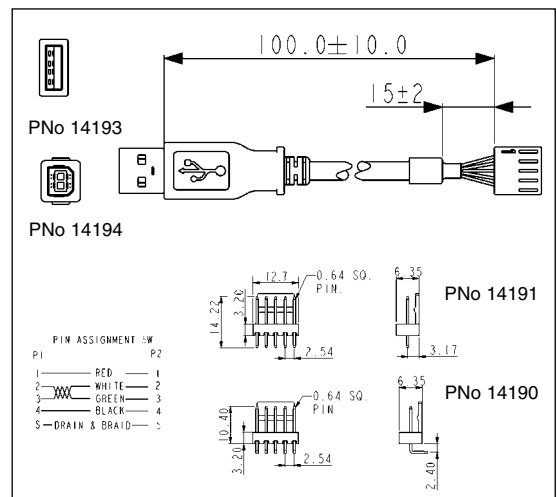


Part No.	Description
PX0845/A	IP68 A type USB, rear panel mounted. Sealed A type at front of panel, direct mount PCB contacts at rear.
PX0845/A/TP	IP68 A type USB, rear panel mounted. Sealed A type at front of panel, direct mount PCB contacts at rear. Through panel sealed.
PX0845/B	IP68 B type USB, rear panel mounted. Sealed B type at front of panel, direct mount PCB contacts at rear.
PX0845/B/TP	IP68 B type USB, rear panel mounted. Sealed B type at front of panel, direct mount PCB contacts at rear. Through panel sealed.

PCB ADAPTOR LEADS



- Standard A and B type USB connectors to 5 way crimp adaptor leads
- 5 way headers, 2.54mm pitch, horizontal or vertical mounting



Part No.	Description
14193	USB 'A' type to 5 way crimp connector
14194	USB 'B' type to 5 way crimp connector
14191	5 way PCB header straight
14192	5 way PCB header right angle

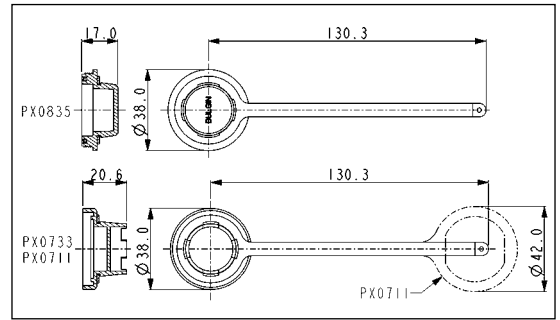
BUCCANEER

**USB Buccaneer®**

**ACCESSORIES**



- Sealing caps to maintain IP68 rating when connectors are not in use
- PX0835 for cable connectors PX0840 and PX0841
- PX0733 for front panel mount connectors PX0842 and PX0843
- PX0711 for rear panel mount connectors PX0848, PX0849 and PX0845

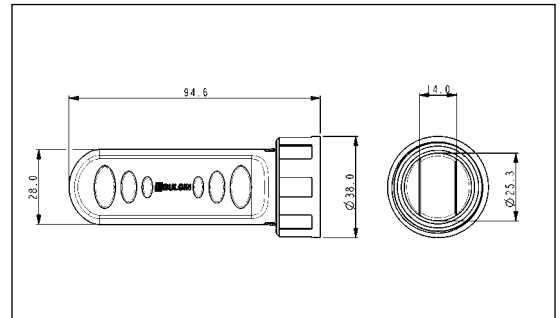


Part No.	Description
PX0835	Sealing Cap for cable connectors (PX0840, PX0841)
PX0733	Sealing Cap for front panel mounting connector (PX0842, PX0843)
PX0711	Sealing Cap for rear panel mounting connector (PX0848, PX0849, PX0845)

**USB FLASH DRIVE COVER**



- For use with USB Flash Drives
- Maintains IP68 rating when mated
- For use with 'A' type connectors: PX0842, PX0843, PX0845, PX0848 & PX0849
- Internal accommodation 17.5 x 14.0 x 83mm approx.



**SPECIFICATION**

**Cables & connectors**

**Electrical**

No. of conductors	4
Current rating	1A
Voltage rating	30Vac (RMS)
Contact resistance	30mΩ max.
Performance	USB version 2.0

**Materials - connectors**

Shell material	Steel
Shell plating	Nickel
Insulation moulding	Nylon 6
Flammability	UL94V-0
Contact material	Copper Alloy
Contact plating	30 micro inch Gold
Over mould material	PVC (black)
Operating temperature	0°C to +70°C
Mating cycles	1,000
<b>RoHS</b>	Compliant

**Materials - cable**

Cable Jacket	PVC (black)
Screen	Tinned copper braid
Flammability	UL94V-0
<b>RoHS</b>	Compliant

Length:	Dia	Conductors Signal	Conductors Power
2m	4.8mm	2 x 28AWG	2 x 24AWG
3m	5.0mm	2 x 28AWG	2 x 22AWG
5m	5.2mm	2 x 25AWG	2 x 20AWG

**PCB adaptor leads**

**Electrical**

No. of conductors	4
Current rating	1A
Voltage rating	30Vac (RMS)
Contact resistance	< 10mΩ max.
PCB pitch	2.54mm

**Materials**

Moulding	Polycarbonate
Flammability	UL94V-0
Contact material	Copper Alloy
Contact plating	30 micro inch Gold
Wire insulation	PVC (black)
Flammability	UL94-V0
Conductors	4 x 28AWG
Operating temperature	0°C to +70°C
Mating cycles	1,000
<b>RoHS</b>	Compliant

**Cable construction**

