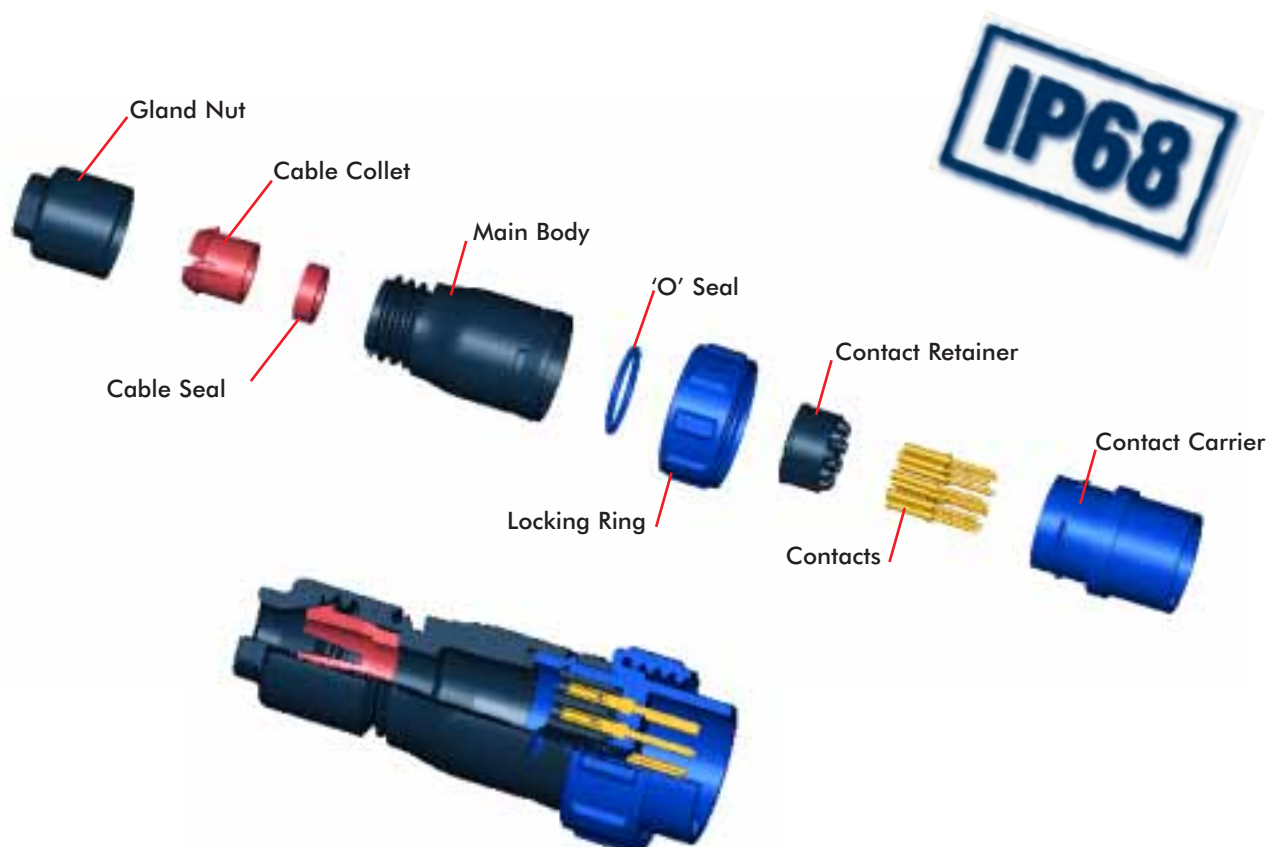


Micro Sealed Connector System



- Flex, Flex In-Line, and Chassis mounting body styles
- Plug and Socket versions in all body styles
- Sealed to IP68 when mated
- Flame Retardant moulding material - Nylon UL94-V0
- Contacts supplied separately
- Sealing caps available to maintain IP68 rating
- Secure sealing system
- Crimp and solder contacts
- Contact marking
- 2 and 3 pole - 8A, 250V rating
- 4, 6 and 8 pole - 5A, 125V rating
- 10 and 12 pole - 1A, 50V rating
- 2.5mm contact engagement for electrical integrity
- Scoop proof contacts
- Contact inserts are part of body moulding
- Cable range from 3 to 7mm
- Diameter (over coupling ring) 19.1mm
- Overall length (flex + flex in-line) 80mm

400 Series Buccaneer

Issue date: 03.02

Page 2 of 4

Part No System

PX04xx / xx x / xxxx

Body Styles

PX0410 = Flex body
 PX0411 = Flex in-line body
 PX0412 = Chassis mounting body

Number Contacts

02 = 2 pole, 03 = 3 pole,
 04 = 4 pole, 06 = 6 pole
 08 = 8 pole, 10 = 10 pole
 12 = 12 pole

Contact Type

P = Plug, S = Socket

Cable Entry

(leave blank for PX0412)

3035 = 3.0 - 3.5mm (Light Grey) 5055 = 5.0 - 5.5mm (Yellow)
 3540 = 3.5 - 4.0mm (Grey) 5560 = 5.5 - 6.0mm (Blue)
 4045 = 4.0 - 4.5mm (Green) 6065 = 6.0 - 6.5mm (White)
 4550 = 4.5 - 5.0mm (Red) 6570 = 6.5 - 7.0mm (Black)

Ordering Information

Ordering

- Determine body style, i.e. PX0410 = flex body, PX0411 = flex in-line body
- Determine number of contacts & type, i.e. 02 = 2 way, P = pin contacts
- Determine cable range, i.e. 3035 = 3.0 to 3.5mm cable accomation
- Choose appropriate contacts pack, i.e. SA3350 = pin contacts suitable for 2 & 3 way connectors, supplied in pack quantities of 10
- Is a sealing cap required?
- Is an insertion tool required?
- Is a crimp tool required?

Configuration

- Crimp contacts supplied separately in packs (see table below)
- Solder contacts supplied separately in packs (see table below)
- Supplied with colour coded sealing glands for specified cable range
- Seperate gland packs available
- Contact inserts are part of body moulding - no assembly required
- Sealing caps supplied separately

Crimp Contacts

Pole	Pin	Socket	Pack Qty	Cable Acceptance (dia)	Current Rating
2, 3	SA3350	SA3349	10	20 - 24 AWG	8A
4, 6, 8	SA3348	SA3347	10	22 - 26 AWG	5A
10, 12	SA3180	SA3179	10	24 - 28 AWG	1A

Solder Contacts

Pole	Pin	Socket	Pack Qty	Cable Acceptance (dia)	Current Rating
2, 3	SA3350/1	SA3349/1	10	20 - 24 AWG	8A
4, 6, 8	SA3348/1	SA3347/1	10	22 - 26 AWG	5A
10, 12	SA3180/1	SA3179/1	10	24 - 28 AWG	1A

Contact Insertion Tools

	Contact rating	Colour	Part No
Insertion/Extraction Tool	1A	Green	13027
Insertion/Extraction Tool	5A	Red	13027/1
Insertion/Extraction Tool	8A	Blue	13027/2

Crimp Tools

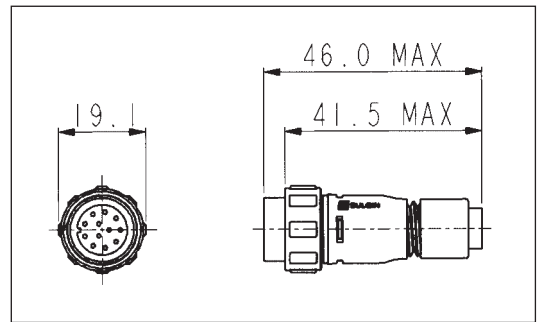
	Contact rating	Colour	Part No
8 Indent Crimp Tool for use with positioners			14025
Positioner	1A	Green	14025/1AMP
Positioner	5A	Red	14025/5AMP
Positioner	8A	Blue	14025/8AMP

400 Series Buccaneer



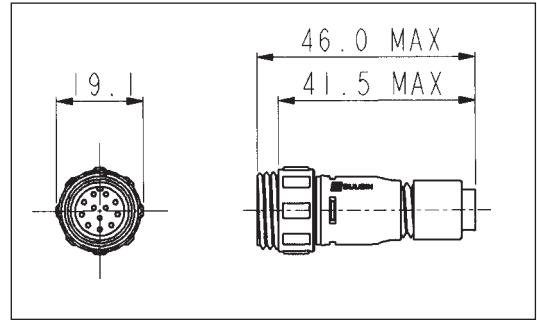
PX0410/P PX0410/S

- Flex Cable Connector
- Screw locking ring
- Mates with Flex In-line or Chassis mounting versions (PX0411 & PX0412)
- Contacts supplied separately



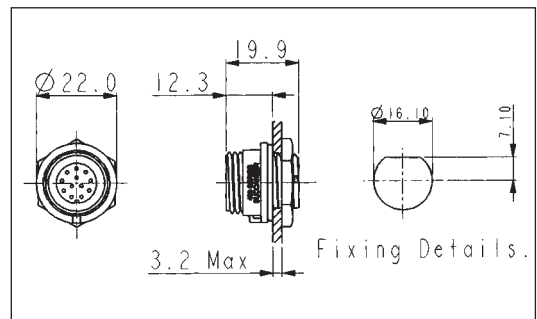
PX0411/P PX0411/S

- In-line Flex Cable Connector
- Screw locking ring
- Mates with PX0410
- Contacts supplied separately

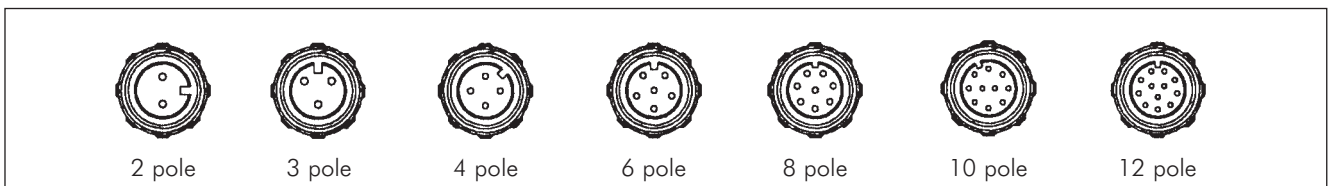


PX0412/P PX0412/S

- Chassis Mounting Connector
- Mates with PX0410
- Contacts supplied separately



Contact layout



PX0480 PX0480/1 PX0481

- PX0480**
Fits PX0412 style (chassis body).
- PX0480/1**
Fits PX0411 style (flex in-line).
- PX0481**
Fits PX0410 style (flex body).

Gland Packs

- PX0482** Pack of 4 pairs cable collets and seals to suit cables from 3.0 to 5.0mm diameter.
- PX0483** Pack of 4 pairs cable collets and seals to suit cables from 5.0 to 7.0mm diameter.

400 Series Buccaneer

Issue date: 03.02

Page 4 of 4

Specification - Provisional data only

Electrical:

Poles:	2, 3	4, 6, 8	10, 12
Current Rating:	8A	5A	1A
Voltage Rating:	250V	125V	50V
Contact Resistance:	<5mΩ		
Insulation Resistance:	>10 ⁶ MΩ (@ 500V a.c.)		
AC Breakdown Voltage:	2.5kV		
Operating Temperature Range:	-40° to +80°C		
Approvals:	UL, CSA & VDE pending		

Material:

Body Mouldings:	Polyamide
Flammibility Rating:	UL94V-0
UV Resistance:	To EN 50021:1999
Contacts:	Copper alloy, Gold plated
O Rings:	Nitrile
Chassis Sealing O Ring:	Nitrile

Mechanical:

Sealing:	IP68, EN 60529
Cable Acceptance:	3.0 - 7.0mm
Contact Accommodation:	2, 3 pole, 20 - 24 AWG 4, 6, 8 pole, 22 - 26 AWG 10, 12 pole, 24 - 28 AWG
Termination:	Crimp and solder
Insertion/Withdrawal Force:	
No. poles:	2 3 4 6 8 10 12
Insertion Force (typ):	19N 25N 27N 27N 28N 55N 62N
Withdrawal Force (typ):	12N 17N 17N 21N 22N 25N 29N
Cable Retention force:	80N

Dimensions:

Overall dimensions of connectors when mated together	
Flex + Flex In-Line	80mm
Dia. over coupling ring	19.1mm