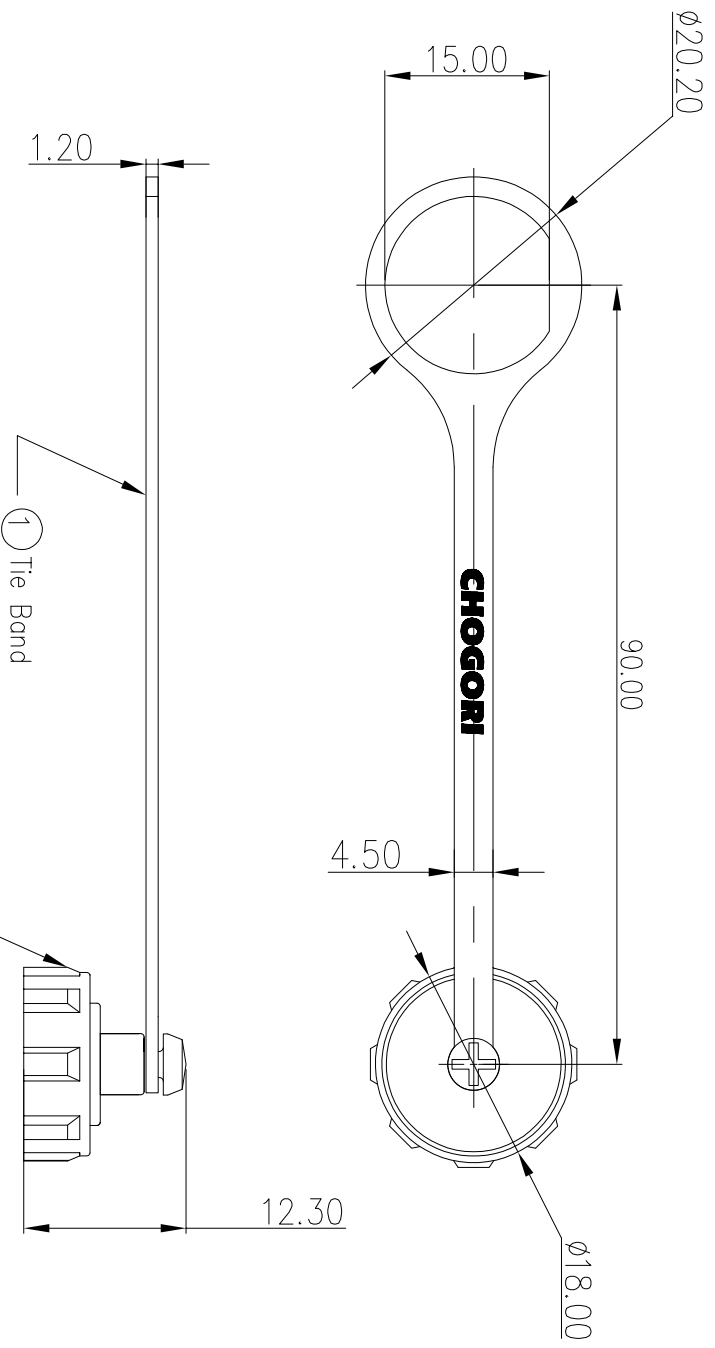


REV.	ECN NDI	DESCRIPTION	SIGN	DATE
C1	N/A	INITIAL DRAWING	liuchao	2019/07/19



- ① Tie Band
- ② Cap
- ③ Gasket
- ④ Screw

Specification:
 1.* Important Dimension.
 2.RoHS Compliant.
 3.Gasket: Silicon
 4.Cap: Nylon+GF Black
 5.Screw: Stainless Steel
 6.Tie Band: TPV Black

UNIT :mm 		Description Standard Screw Type Panel Mount Cap				PART NO 806-00030-00		DRAWN BY Liu		DATE 2019/07/19	
TOLERANCE ±0.5		SCALE: N/A SIZE: A4 SHEET: 1 OF 1 * : Inspection Item				DWG NO CUSTOMER		CHECKED BY Mo		DATE 2019/07/19	
REV: C1		Description				DRAWN BY Panson		APPROVED BY Panson		DATE 2019/07/19	