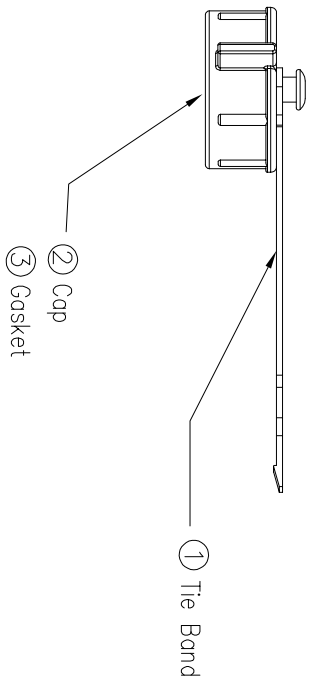
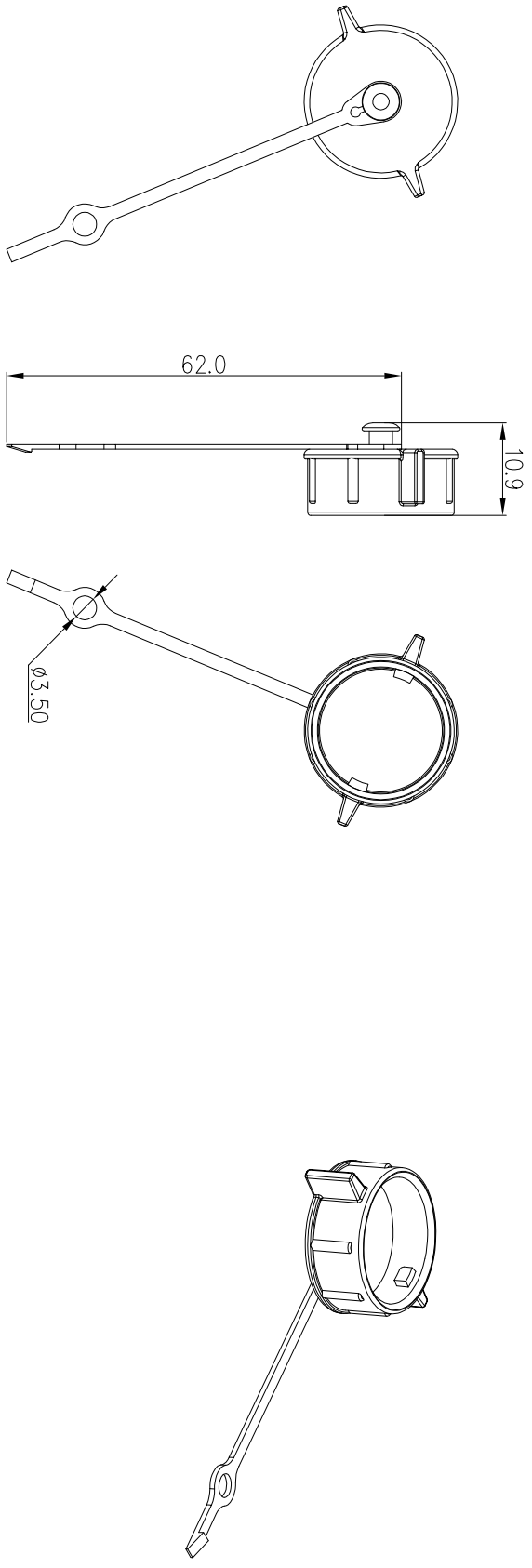


REV.	EQN NO.	DESCRIPTION	SIGN	DATE
C1	N/A	INITIAL DRAWING	liuchao	2019/07/19



Specification:
 1.* Important Dimension.
 2.RoHS Compliant.
 3.Gasket: Silicon
 4.Cap: Nylon+GF Black
 5.Tie Band: Nylon Black

UNIT: mm		TITLE		ITEM NO		DRAWN BY		DATE	
TOLERANCE		Standard Push Lock Panel Waterproof Cap		806-00053-00		Liu		2019/07/19	
±0.5		SCALE N/A		DWG NO		CHECKED BY		DATE	
		SIZE A4		CUSTOMER		Mo		2019/07/19	
		SHEET 1 OF 1		APPROVED BY		Ponson		DATE	
		* : Inspection Item						2019/07/19	

