

Product Detail



Product Line:	Johnson (Click for customer service)
Part Number:	105-0251-001
Description:	Tip Jack - Insulated Metal Clad: Standard Type
Product Family:	TIP JACK
Body Material:	Nylon 6/6 per ASTM D4066
Breakdown Voltage:	5700 Vrms min.
Color / Finish:	White
Contact Material:	Phosphor bronze
Contact Finish:	Silver
Contact Termination:	Solder
Current:	10 amps
Desc 2:	Metal Clad
Description:	Insulated Standard
For Use With:	.080 (2.00) Tip Plug
Panel Thickness:	Up to .281 (7.10)

20070523-1523

Tip Jack

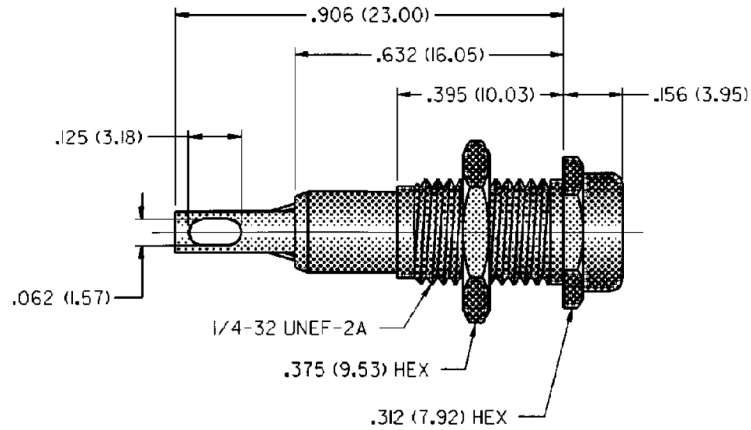
Insulated Metal Clad: Standard Type

SPECIFICATIONS

Contact: Phosphor bronze per QQ-B-750
Finish: Silver
Body: Nylon 6/6 per ASTM D4066
Threaded Brass Jacket: Per QQ-B-626D, nickel plated
Panel Thickness: Up to .281 (7.10)

RATINGS

Current: 10 amps
Breakdown Voltage: 5700 Vrms minimum +
Contact Resistance: 0.010 ohms maximum
Contact-To-Panel C: 2 pF nominal



SILVER PLATING

105-0251-001 White

For Standard Tip Plug: .080 (2.00) Diameter

FEATURES:

- Formed contact with slotted terminal
- Nylon UL approved for self extinguishing