

Banana Jack - Uninsulated Standard Type:

Pierced Lug Terminal

SPECIFICATIONS

Jack Body: Brass per QQ-B-626D

Finish: Nickel

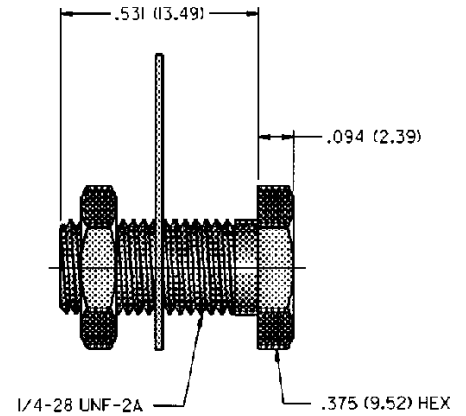
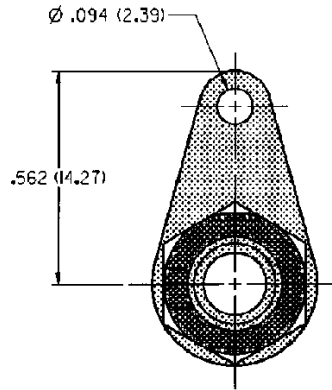
Hardware: Nickel plated nut; stamped tin plated solder terminal (unassembled)

Panel Thickness: Up to .375 (9.50)

RATINGS

Current: 15 amps

Contact Resistance: 0.010 ohms maximum



NICKEL PLATING
PART NO.
108-0740-001

For Standard Banana Plug: .175 (4.44) Across Flats

FEATURES:

- Accepts up to 12 gauge wire
- Hex head for faster installation
- For higher current designs