



Connectivity Solutions

Complete or Partial Part #,
Competitor Part # or
Keywords.

Wireless

CATV

Audio & Video

Networking &
Structured Wiring

Military & Aerospace

Test & Measurement

Home

Member Access

Products

Connectors

Microwave Components

CATV Components

Coaxial Cable Assemblies

Structured Cabling & Connectors

Tools & Accessories

Customer Service

Request For Quote

Representatives

Distributors

Literature/Catalog Request

What's New

About Our Brands

Legal Terms

© 2007 All Rights Reserved

Product Detail



Product Line:	Johnson (Click for customer service)
Part Number:	108-0745-001
Description:	Banana Jack - Insulated Pierced Lug Terminal
Product Family:	BANANA JACK
Body Material:	Brass per QQ-B-626D
Breakdown Voltage:	1500 Vrms min.
Color / Finish:	Red
Contact Material:	Brass
Contact Finish:	Nickel
Contact Termination:	Solder
Current:	15 amps
Desc 2:	Pierced Lug Terminal
Description:	Insulated
For Use With:	.175 (4.44) Banana Plug
Panel Thickness:	Up to .281 (7.15)
RoHS Compliant:	Yes

20070523-1523

Banana Jack - Insulated Pierced Lug Terminal

JOHNSON
Components™

INCHES (MILLIMETERS)
CUSTOMER DRAWINGS AVAILABLE UPON REQUEST

SPECIFICATIONS

Contact: Brass per QQ-B-626D

Finish: Nickel

Hex Head: Molded phenolic

Hardware: Nickel plated nut, fiber insulating washer
and stamped tin plated solder terminal
(unassembled)

Panel Thickness: Up to .281 (7.15)

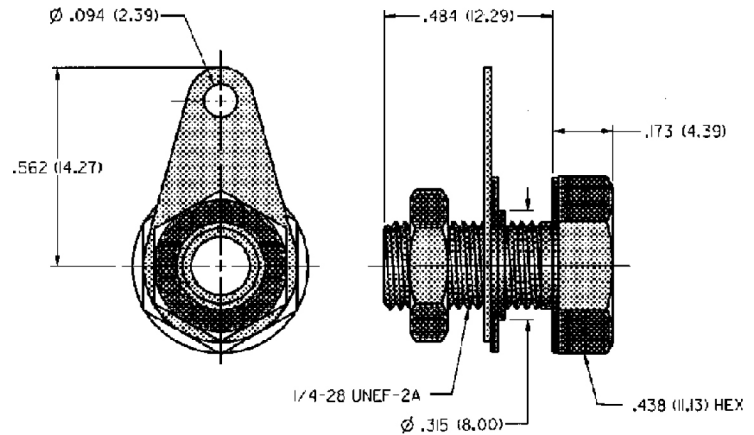
RATINGS

Current: 15 amps

Breakdown Voltage: 1500 Vrms minimum †

Contact Resistance: 0.010 ohms maximum

Contact-To-Panel: 2.4 pF nominal



NICKEL PLATING

108-0745-001 Red

For Standard Banana Plug: .175 (4.44) Across Flats

FEATURES:

- Withstands extreme temperatures and abuse
- Stamped tin plated solder terminal with hole for up to 12 gauge wire
- Integrally molded hex head for fast installation