

# Banana Plug - Uninsulated Panel Mount Threaded Stud



INCHES (MILLIMETERS)  
CUSTOMER DRAWINGS AVAILABLE UPON REQUEST

## SPECIFICATIONS

**Plug Body:** Brass per QQ-B-626D

**Plug Spring:** Nickel silver per QQ-C-585

**Finish:** Nickel

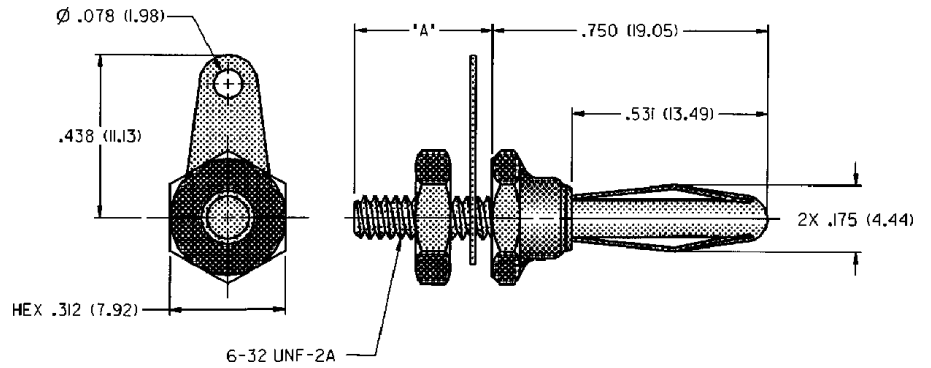
**Panel Thickness:** Up to .25 (6.35) .625 (16.00)

**Hardware:** Nickel plated nut, stamped tin plated solder terminal (unassembled)

## RATINGS

**Current:** 15 amps

**Contact Resistance:** 0.010 ohms maximum



NICKEL PLATING	
108-0750-001	.375 (9.50)

**For Standard Banana Jack: .166 (4.23) Diameter**

## FEATURES:

- Two stud lengths adapt to different panel sizes
- Pierced hole for up to 14 gauge wire