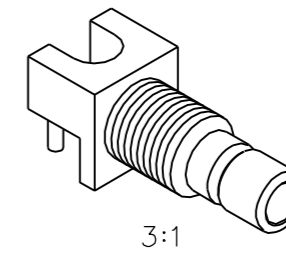
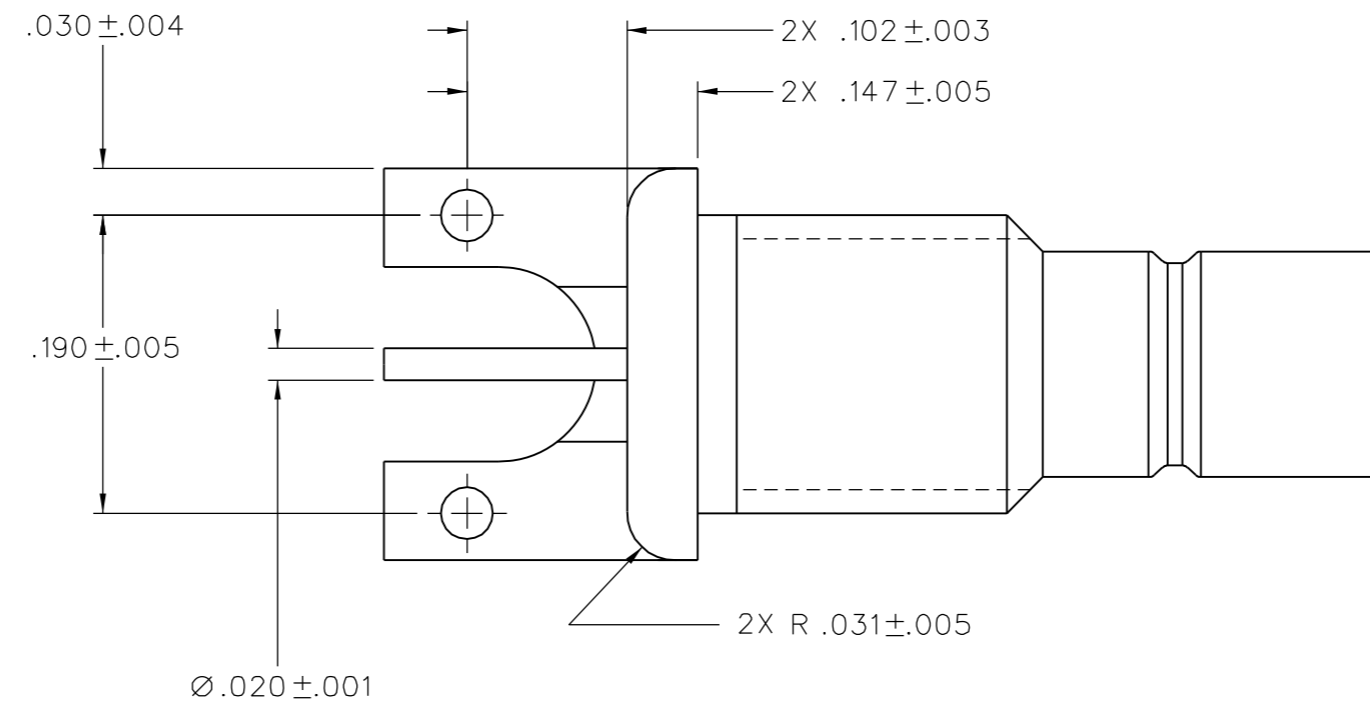
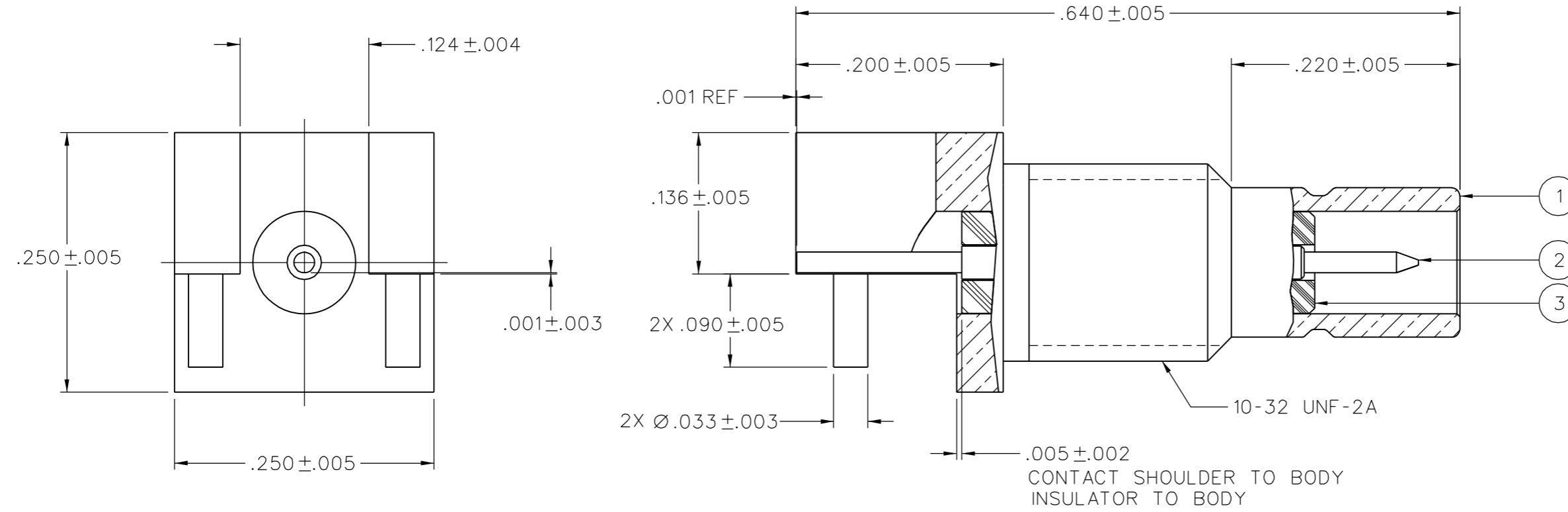


PART NUMBER	ITEM ① BODY	ITEM ② CONTACT	ITEM ③ FRONT INSULATOR
131-3701-856	BRASS (C36000) NICKEL PL .0001 MIN OVER COPPER PL .00005 MIN	BRASS (C36000) GOLD PL .00003 MIN OVER NICKEL PL .00005 MIN OVER COPPER PL .00005 MIN	TEFLON



DRAWING NO. C - 131-3701-851/860	
0	REVISIONS
ENGINEERING RELEASE	
1	2-24-11 M S F B R J B M J U 2-24-11 ECO 53077



NOTES:

1. SPECIFICATIONS:

IMPEDANCE: 50 OHMS  
 FREQUENCY RANGE: 0-4 GHz  
 VSWR: NOT APPLICABLE  
 WORKING VOLTAGE: 335 VRMS MAX AT SEA LEVEL  
 DIELECTRIC WITHSTANDING VOLTAGE: 1000 VRMS MIN AT SEA LEVEL  
 INSULATION RESISTANCE: 1000 MEGOHM MIN  
 CONTACT RESISTANCE:  
 CENTER CONTACT - INITIAL 6 MILLIOHM MAX, AFTER ENVIRONMENTAL 8 MILLIOHM MAX  
 OUTER CONDUCTOR - INITIAL 1 MILLIOHM MAX, AFTER ENVIRONMENTAL 1.5 MILLIOHM MAX  
 BRAID TO BODY - NOT APPLICABLE  
 CORONA LEVEL: NOT APPLICABLE  
 INSERTION LOSS: NOT APPLICABLE  
 RF LEAKAGE: NOT APPLICABLE  
 RF HIGH POTENTIAL WITHSTANDING VOLTAGE: 600 VRMS AT 4 AND 7 MHZ

MECHANICAL:

ENGAGE/DISENGAGE FORCE: INITIAL 14 LBS MAX, AFTER DURABILITY 14 LBS MAX ENGAGEMENT, 2 LBS MIN DISENGAGEMENT  
 MATING TORQUE: NOT APPLICABLE  
 COUPLING PROOF TORQUE: NOT APPLICABLE  
 COUPLING NUT RETENSION: NOT APPLICABLE  
 CONTACT RETENSION: 4 LBS MIN AXIAL FORCE  
 CABLE ACCEPTABILITY: NOT APPLICABLE  
 CABLE HEX CRIMP SIZE: NOT APPLICABLE  
 CABLE RETENTION: NOT APPLICABLE  
 DURABILITY: 500 CYCLES MIN

ENVIRONMENTAL:

(MEETS OR EXCEEDS THE APPLICABLE PARAGRAPH OF MIL-PRF-39012)  
 THERMAL SHOCK: MIL-STD-202, METHOD 107, CONDITION B  
 OPERATING TEMPERATURE: -65 DEG C TO 165 DEG C  
 CORROSION: MIL-STD-202, METHOD 101, CONDITION B  
 SHOCK: MIL-STD-202, METHOD 213, CONDITION B  
 VIBRATION: MIL-STD-202, METHOD 204, CONDITION B  
 MAXIMUM REFLOW TEMPERATURE: 260° C

RoHS   
 2002/95/EC

TOLERANCE UNLESS OTHERWISE SPECIFIED		DRAWN BY	DATE
DECIMALS	mm	RJB	2-24-11
.XX	_____	CHECKED BY	DATE
.XXX	_____	APPROVED BY	DATE
MATL	_____	RJB	2-24-11
FINISH	_____	RELEASE DATE	2-24-11
U/M	INCH	SCALE	10:1

CUSTOMER DRAWING

THIS DRAWING TO BE INTERPRETED PER ASME Y 14.5M - 1994

"μSTATION"

COMPANY CONFIDENTIAL



TITLE  
 JACK ASSEMBLY  
 END LAUNCH BULKHEAD,  
 SMB

SHEET 2 OF 2  
 DRAWING NO. C - 131-3701-851/860