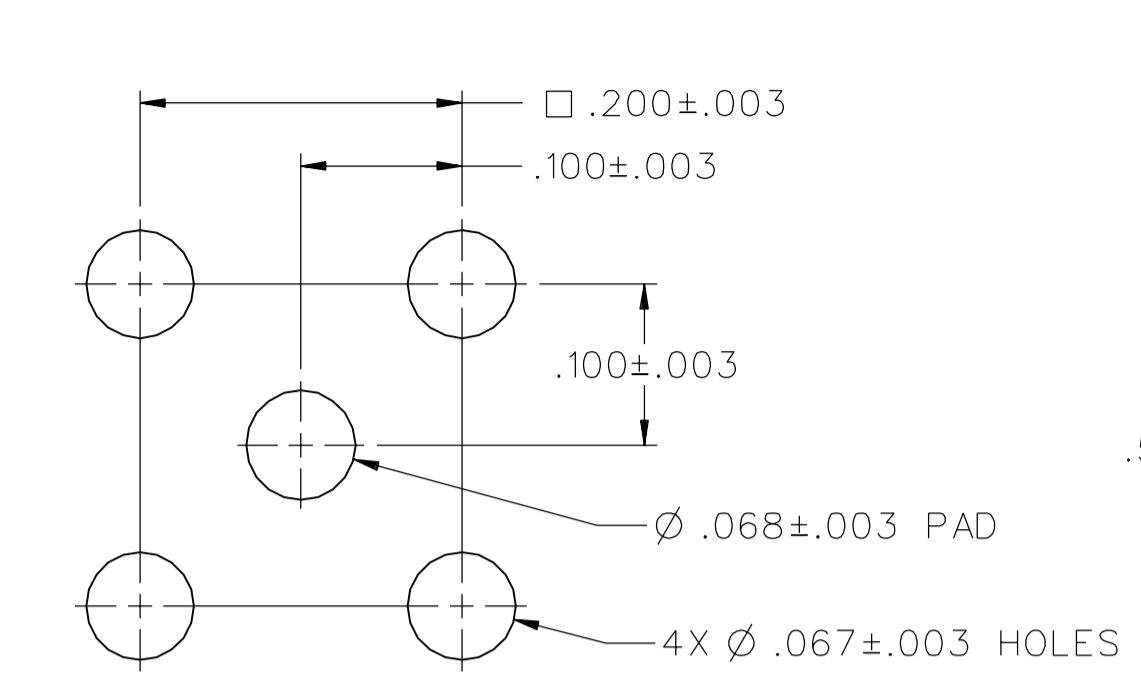


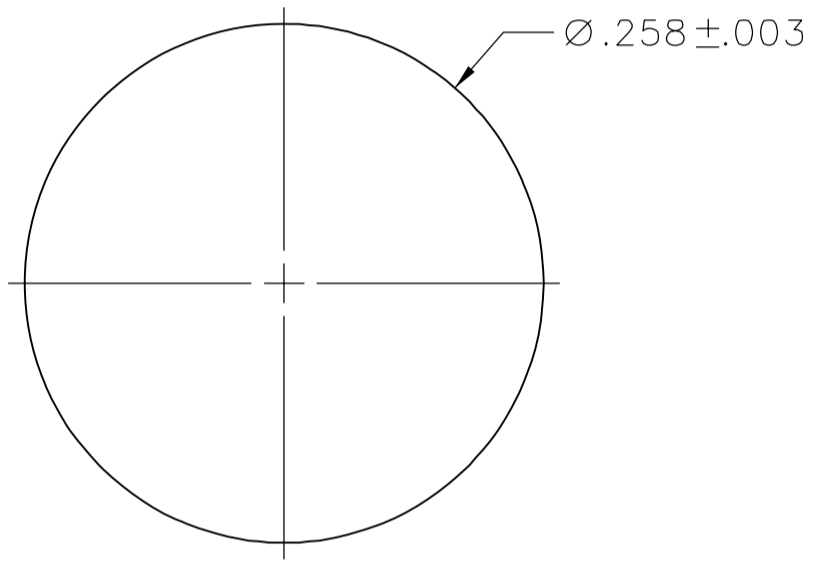
PART NUMBER 142-0711-521	ITEM ① BODY (ONE PIECE) BRASS GOLD PL .00001 MIN OVER NICKEL PL .00005 MIN OVER COPPER PL .00005 MIN	ITEM ② CONTACT (ONE PIECE) BERYLLIUM COPPER GOLD PL .00003 MIN OVER NICKEL PL .00005 MIN OVER COPPER PL .00005 MIN	ITEM ③ FRONT INSULATOR TEFLON	ITEM ④ LOCKWASHER BRONZE GOLD PL .00001 MIN OVER NICKEL PL .00005 MIN OVER COPPER PL .00005 MIN	ITEM ⑤ MOUNTING NUT BRASS GOLD PL .00001 MIN OVER NICKEL PL .00005 MIN OVER COPPER PL .00005 MIN
-----------------------------	---	---	-------------------------------------	--	---

DRAWING NO. C - 142-0711-521/530						
0 REVISIONS						
ENGINEERING RELEASE						
1	2-11-08	P A T	R J B	M J S	J C N	2-14-08 ECN 51380

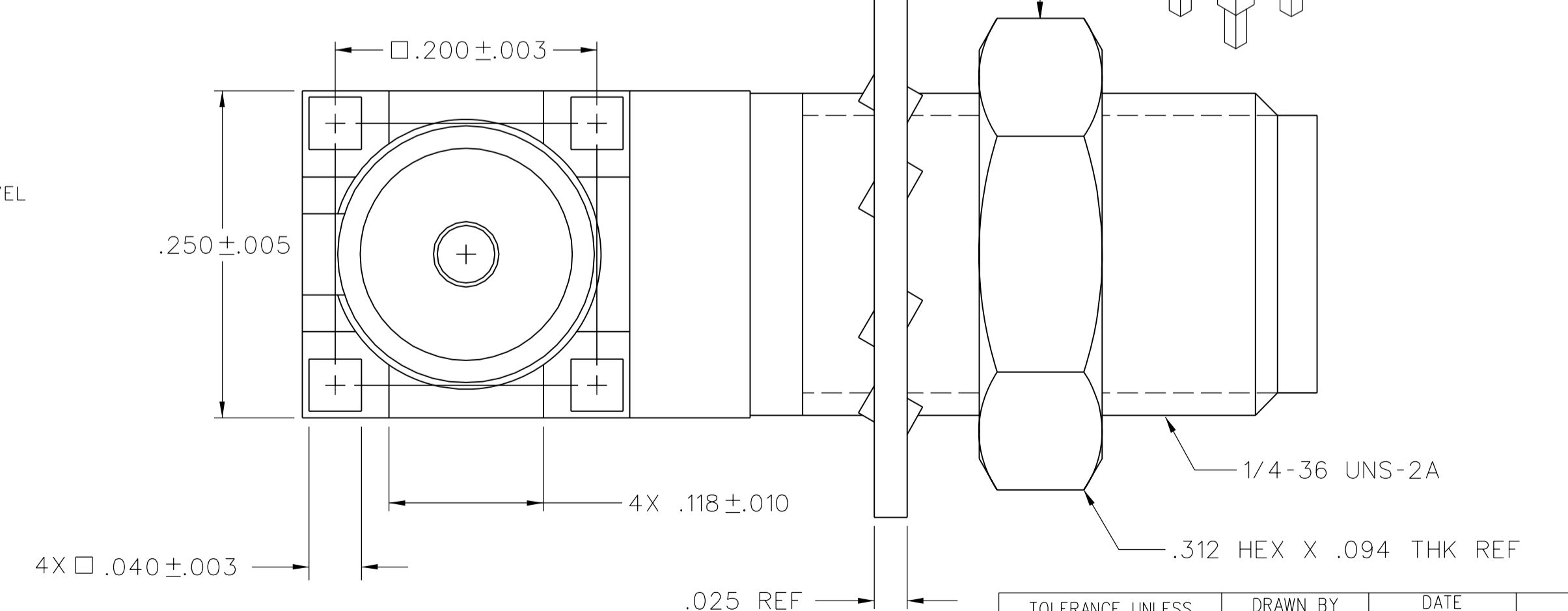
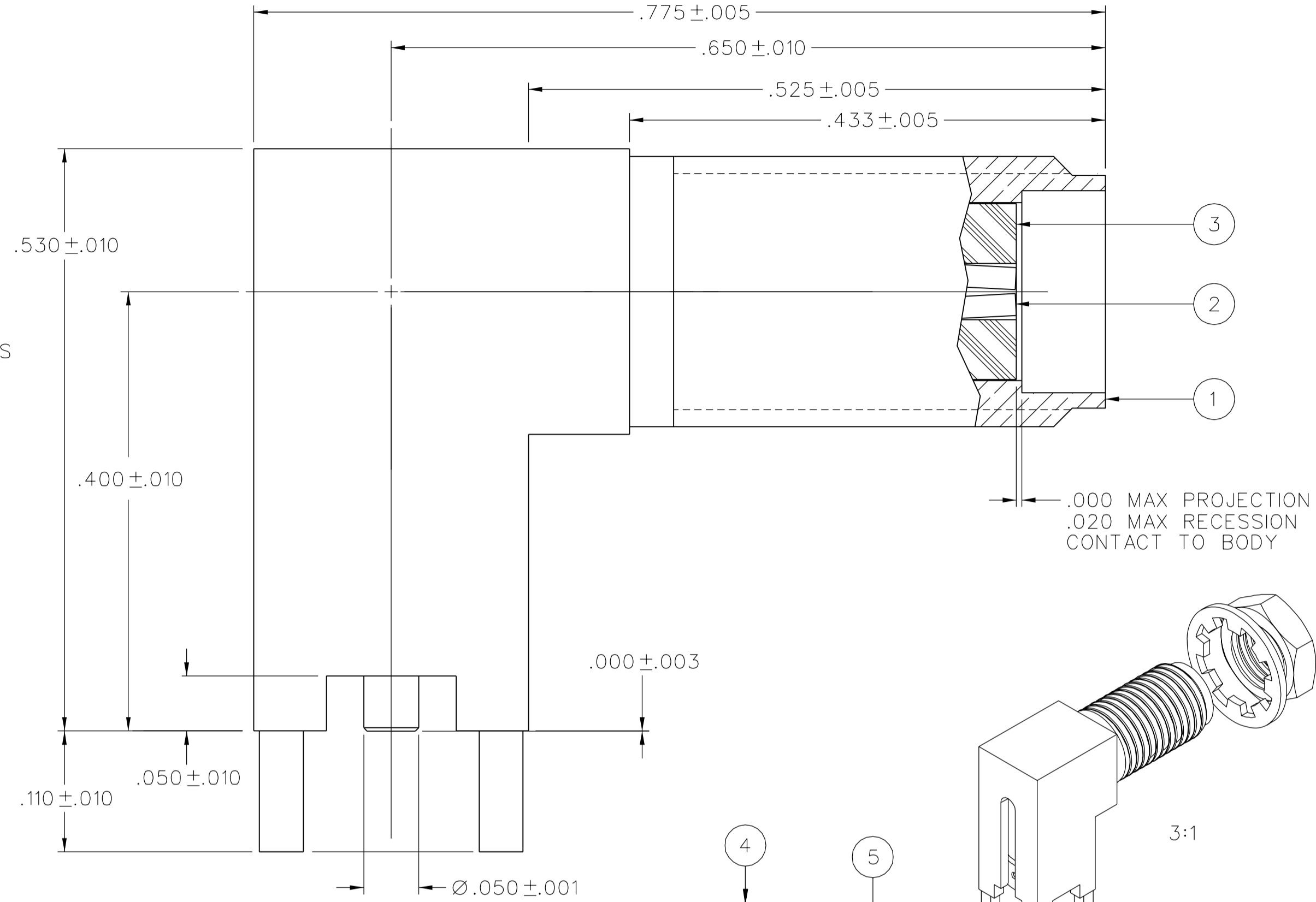


MOUNTING HOLE LAYOUT

8:1



MOUNTING HOLE LAYOUT



NOTES:

- SPECIFICATIONS:
 - IMPEDANCE: 50 OHMS
 - FREQUENCY RANGE: 0-18 GHZ
 - VSWR: NOT APPLICABLE
 - WORKING VOLTAGE: 335 VRMS MAX AT SEA LEVEL
 - DIELECTRIC WITHSTANDING VOLTAGE: 1000 VRMS MIN AT SEA LEVEL
 - INSULATION RESISTANCE: 5000 MEGOHM MIN
 - CONTACT RESISTANCE:
 - CENTER CONTACT - INITIAL 3.0 MILLIOHM MAX, AFTER ENVIRONMENTAL 4.0 MILLIOHM MAX
 - OUTER CONDUCTOR - INITIAL 2.0 MILLIOHM MAX AFTER ENVIRONMENTAL NOT APPLICABLE
 - BRAID TO BODY - NOT APPLICABLE
 - CORONA LEVEL: 250 VOLTS MIN AT 70,000 FEET
 - INSERTION LOSS: NOT APPLICABLE
 - RF LEAKAGE: NOT APPLICABLE
 - RF HIGH POTENTIAL WITHSTANDING VOLTAGE: 670 VRMS AT 4 AND 7 MHZ MIN
- MECHANICAL:
 - ENGAGE/DISENGAGE TORQUE: 2 INCH-POUNDS MAX
 - MATING TORQUE: 7-10 INCH POUNDS
 - COUPLING PROOF TORQUE: 15 INCH-POUNDS MIN
 - COUPLING NUT RETENTION: NOT APPLICABLE
 - CONTACT RETENTION: 6 LBS MIN AXIAL FORCE
 - CABLE ACCEPTABILITY: NOT APPLICABLE
 - CABLE HEX CRIMP SIZE: NOT APPLICABLE
 - CABLE RETENTION: NOT APPLICABLE
 - DURABILITY: 500 CYCLES MIN
- ENVIRONMENTAL:
 - (MEETS OR EXCEEDS THE APPLICABLE PARAGRAPH OF MIL-PRF-39012)
 - THERMAL SHOCK: MIL-STD-202, METHOD 107, CONDITION B
 - OPERATING TEMPERATURE: -65 DEG C TO 165 DEG C
 - CORROSION: MIL-STD-202, METHOD 101, CONDITION B
 - SHOCK: MIL-STD-202, METHOD 213, CONDITION I
 - VIBRATION: MIL-STD-202, METHOD 204, CONDITION D

CUSTOMER DRAWING

THIS DRAWING TO BE INTERPRETED PER ASME Y 14.5M - 1994

"μSTATION"

COMPANY CONFIDENTIAL

TOLERANCE UNLESS OTHERWISE SPECIFIED		DRAWN BY RJB	DATE 2-8-08
DECIMALS	mm	CHECKED BY RJB	DATE 2-14-08
.XX	_____	APPROVED BY TJS	DATE 2-14-08
.XXX	_____	RELEASE DATE	2-14-08
MATL	_____	U/M	INCH
FINISH	_____	SCALE	10:1

Connectivity Solutions P.O. Box 1732 Waseca, MN 56093 1-800-247-8256	
EMERSON Network Power	
TITLE JACK ASSEMBLY, RA PC BULKHEAD MOUNT, SURFACE MT CONTACT, SMA	
SHEET 2 OF 2	DRAWING NO. C - 142-0711-521/530