

5

4

3

2

1

受控 CONTROLLED DOCUMENT

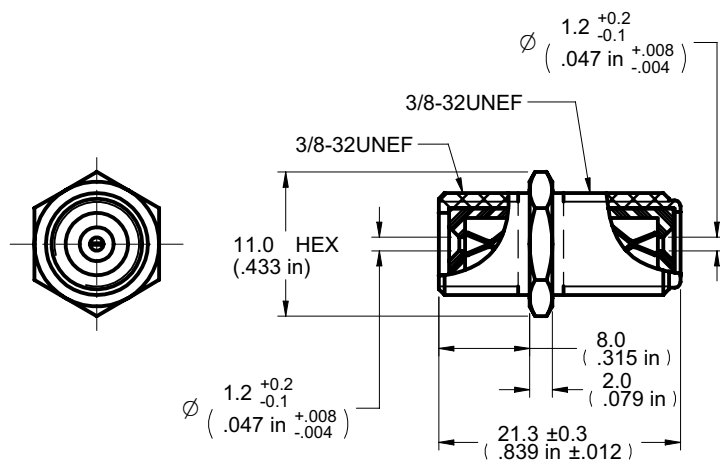
编号 P/N	25-7200-CUST	版本 Rev	01	日期 Rel'd Date	Apr29,09
-----------	--------------	-----------	----	------------------	----------

DRAWING NO. 25-7200-CUST						
REVISIONS						
01	OFFICIAL RELEASE					
	03-10-09	Y	U	Y	U	TH

Description: F-81 Dual Female Inline Splice
 Part No: 25-7200
 Application: Adaptor
 Crimp Tool: N/A
 Impedance: 75 Ohms
 Frequency Range: 0-750 MHz
 Material: Body Zinc Nickel plated
 Contact P Bronze Tin plated
 Insulator PE

RoHS Compliance: Yes

Technical Detail: Refer to Emerson Document P/N 25-0000



DIM OUTLINE

TOLERANCE UNLESS OTHERWISE SPECIFIED		DRAWN BY BETTY.YU	DATE 03-10-09
DECIMALS	mm	CHECKED BY BETTY.YU	DATE 03-10-09
X	± 0.5	APPROVED BY THOMAS	DATE 03-10-09
X.X	± 0.3	U/M	mm
X.XX	± 0.1		
ANGLES	± 0.5°		

CUSTOMER COPY



TITLE
F-81 DUAL FEMALE INLINE SPLICE

THIS DRAWING WAS PRODUCED BY COMPUTER, DO NOT SCALE DRAWING OR UPDATE MANUALLY.

SHEET 1 OF 1	DRAWING NO. 25-7200-CUST	SIZE A
-----------------	-----------------------------	-----------

5

4

3

2

1