

5

4

3

2

1

DRAWING NO.
27-8100-CUST

REVISIONS

OFFICAL RELEASE

01

2009.09.0
8 09:29:09
Betty + 08'00'

08-25-09

T

W

B

Y

T

Description: BNC Jack to F Plug Adapter

Part No: 27-8100

Application: Adapter

Crimp Tool: N/A

Impedance: 75 Ohms

Fequency Range: 0-500 MHz

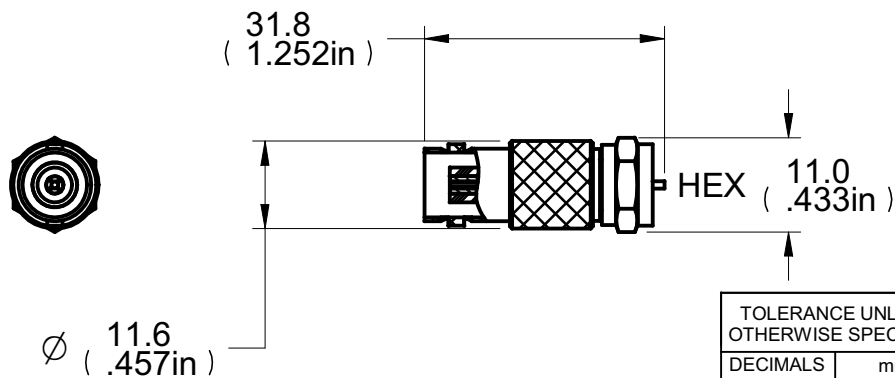
Material: Body Brass Nickel Plated
 Contact Brass Gold Plated
 Insulator Derlin
 Crimp Sleeve Brass Nickel Plated
 Coupling Nut Zinc Nickel Plated

RoHS Compliance: Yes

Technical Detail: Refer to Emerson Document P/N 27-0000&29-0000



受控 CONTROLLED DOCUMENT					
编号 P/N	27-8100-CUST	版本 Rev	01	日期 Rel'd Date	SEP 14,09



DIM OUTLINE

TOLERANCE UNLESS OTHERWISE SPECIFIED		DRAWN BY TERRY.W	DATE 08-25-09
DECIMALS	mm	CHECKED BY TERRY.W	DATE 08-25-09
X	± 0.5	APPROVED BY THOMAS	DATE 08-25-09
X.X	± 0.3	U/M	mm
X.XX	± 0.1		
ANGLES	± 0.5°		

CUSTOMER COPY



Connectivity Solutions

TITLE
BNC JACK TO F PLUG ADAPTER

THIS DRAWING WAS PRODUCED BY COMPUTER, DO NOT SCALE DRAWING OR UPDATE MANUALLY.

SHEET
1 OF 1

DRAWING NO.
27-8100-CUST

SIZE
A

5

4

3

2

1