



Connectivity Solutions



Complete or Partial Part #,
Competitor Part # or
Keywords.

[Wireless](#)
[CATV](#)
[Audio & Video](#)
[Networking &
Structured Wiring](#)
[Military & Aerospace](#)
[Test & Measurement](#)
[Home](#)
[Member Access](#)
[Products](#)
[Connectors](#)
[Microwave Components](#)
[CATV Components](#)
[Coaxial Cable Assemblies](#)
[Structured Cabling & Connectors](#)
[Tools & Accessories](#)
[Customer Service](#)
[Request For Quote](#)
[Representatives](#)
[Distributors](#)
[Literature/Catalog Request](#)
[What's New](#)
[About Our Brands](#)
[Legal Terms](#)

© 2007 All Rights Reserved

Product Detail



Product Line:	Cambridge (Click for customer service)
Part Number:	CP-AD580
Description:	50 Ohm BNC Bulkhead Jack to Jack In-Series Adapter - Isolated
Product Family:	In-Series Adapters
Body Style:	Bulkhead
Color / Finish:	Nickel
Connector A:	BNC
Connector B:	BNC
Frequency:	4 GHz
Genders:	Female/Female
Ohm:	50
Product Type:	Adapter
RoHS Compliant:	Yes

20070523-1523

50 Ohm BNC Bulkhead Jack to Jack Adapter Isolated

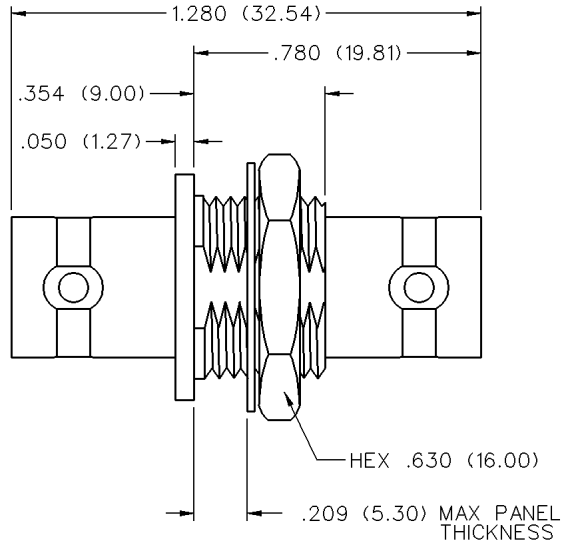
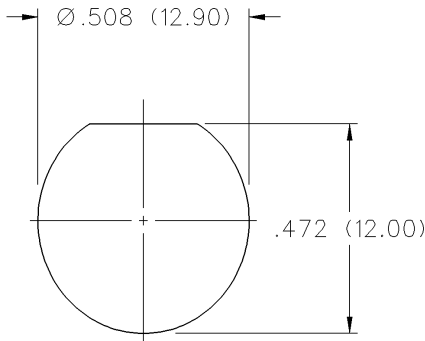


INCHES (MILLIMETERS)
CUSTOMER DRAWINGS AVAILABLE UPON REQUEST



CP-AD580

Mounting hole layout



BNC Connectors

Specifications



INCHES (MILLIMETERS)
CUSTOMER DRAWINGS AVAILABLE UPON REQUEST

The BNC series connector is a commercial quality product that intermates with all standard double bayonet stud BNC designs. All contacts are captivated for ruggedness. The 50 ohm and 75 ohm interfaces are intermateable and provide quick, reliable connections for instrumentation, medical and LAN applications.

Specifications*

50 Ohm BNC

Electrical Characteristics

Impedance: 50 Ohm nominal

Frequency range: 0-4 GHz

Working voltage: 500 volts RMS at sea level

Dielectric withstanding voltage: 1500 volts RMS at sea level

Corona level: 375 volts minimum at 70,000 feet

Contact resistance: Outer - 0.2 milliohms maximum
Center - 2.1 milliohms maximum

Insulation resistance: 5000 megohms minimum

Environmental Characteristics

Recommended temperature range: -55°C to +85°C

Moisture resistance: MIL-STD-202

Mechanical Characteristics

Durability: 500 cycles

Force to engage/disengage: 3 lbs. maximum

Cable retention: 20 lbs., RG-58 C/U cable

Materials

Body: Zinc or brass

Contact: Brass, beryllium copper or phosphor bronze

Spring Washer: Beryllium copper

Crimp sleeve: Brass

Insulator: Delrin® or TPX Polymethylpentene

Plating: Body - Nickel (except where noted)

Crimp sleeve - Nickel

Contact - Gold

* These values are typical and may not apply to all connectors.