



Our Products



(27-9100) BNC 3-Piece Crimp, 50 Ohm, RG59 & 62, 140, 210 CPMC882

RoHS2

Series - BNC	Impedance - 50 Ohm
Gender - Plug	Termination Style - Cable
Termination Type - Full Crimp	Body Style - Straight
Max Frequency - 4 GHz	Contact Plating - Gold
Body Plating - Nickel	Body Material - Brass
Cable Type - RG58, RG59	Product Line - AIM-Cambridge

[Check Stock](#)[Request For Quote](#)[Drawing](#)[Product Information](#)

The contents of this website are subject to change without prior notice. While our goal is to ensure its accuracy and maintain an up-to-date presence, we cannot guarantee that it always will be. Please verify specifications with our engineering team for new designs or applications.

[Visit Other Emerson Network Power Business Units](#)[RSS FEEDS](#) [Subscribe](#)

5

4

3

2

1

D

C

B

A

D

C

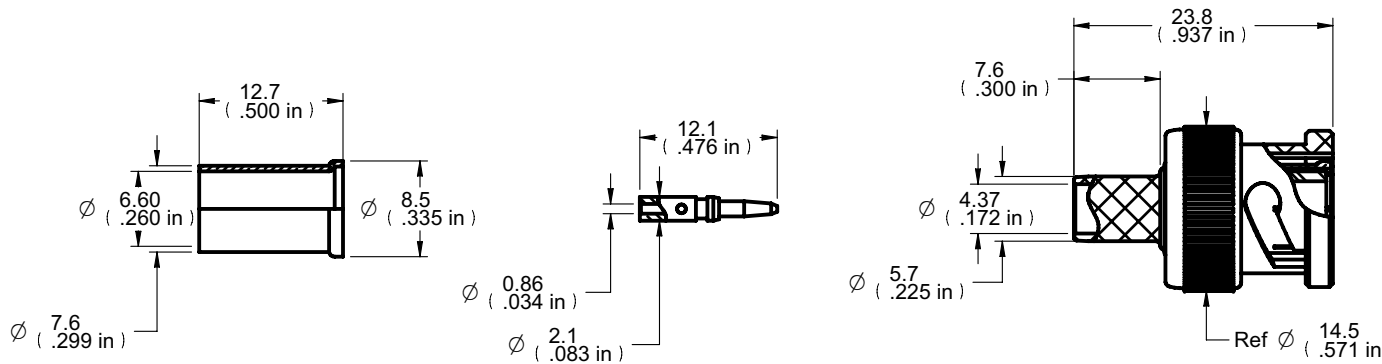
B

A



Description: Stright BNC Crimp Plug For RG59 Style Cable
 Part No: CPMC882
 Application: For Cable RG-59 Style
 Crimp Tool: 24-8859P
 Impedance: 50 Ohms
 Fequency Range: 0-4 GHz
 Material: Body Brass Nickel Plated
 Contact Brass Gold Plated
 Insulator PTFE
 Crimp Sleeve Brass Nickel Plated
 Coupling Nut Zinc Nickel Plated
 RoHS Compliance: Yes
 Technical Detail: Refer to Emerson Document P/N 27-0000

DRAWING NO.	
CPMC882-CUST	
REVISIONS	
01	OFFICAL RELEASE
	03-05-09 Z G B Y T
02	RELEASE FOR SUPPLIER ALTER
	07-27-11 Y G Y G M L <i>Lin Ma</i> 20110728 14:00:44 -0800



DIM OUTLINE

受控 CONTROLLED DOCUMENT				
编号 P/N	CPMC882-CUST	版本 Rev	02	日期 Rel'd Date
				Aug4,11

TOLERANCE UNLESS OTHERWISE SPECIFIED		DRAWN BY	DATE
DECIMALS		YUGE HU	07-27-11
X	± 0.5	CHECKED BY	DATE
X.X	± 0.3	YUGE HU	07-27-11
X.XX	± 0.1	APPROVED BY	DATE
ANGLES	± 0.5°	LIN MA	07-27-11
		U/M	mm

EMERSON Network Power		Connectivity Solutions	
TITLE			
STRAIGHT BNC CRIMP PLUG FOR RG59 STYLE CABLE			
SHEET	DRAWING NO.	SIZE	
1 OF 1	CPMC882-CUST	A	

THIS DRAWING WAS PRODUCED BY COMPUTER, DO NOT SCALE DRAWING OR UPDATE MANUALLY.

CUSTOMER COPY

5

4

3

2

1