



PRODUCTS

CIN::APSE
 MICROMINIATURE
 D-SUB

Filter D
 IDC
 Basic D
 Military D

Accessories

Introduction
 Hoods
 Clamps

Hardware

▶ **Screw Locks**
 Slide Locks
 Dust Caps
 Tooling

OTHER TECHNOLOGY



ACCESSORIES

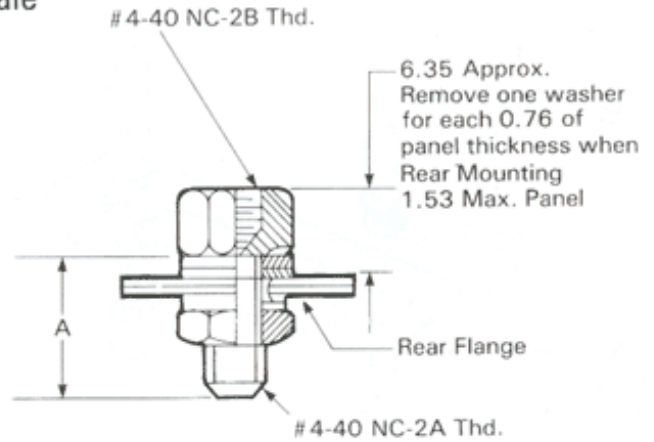
SCREW LOCKS



Features

- Simple to use
- Robust
- Industry Standard
- Zinc and yellow chromate plated

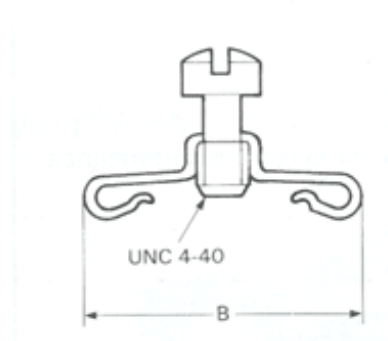
Female



Part Number Commercial	Part Number to MIL-C-24308	Dimension A (mm)
D20418-2	M24308/26-1	7.92
D20418-39	M24308/26-2	15.88

Both items are suitable for all shell sizes. D20418-2 is used in all applications except for those where the extra thread length of D20418-39 is needed

Male



For steel screw lock assemblies the maximum recommended assembly torques are :

Assembly of Female to Panel **0.9Nm**

Fixing of Male to Female **0.45Nm**

Note: **Two screw locks assemblies are required per connector**

Shell Size	Plugs	Sockets	
	Plug	Socket	Dimension B (mm)
E	D20419-0	D20419-0	13.89
A	D20419-0	D20419-0	13.89
B	D20419-18	D20419-0	13.89
C	D20419-18	D20419-0	13.89
D	D20419-15	D20420-0	16.66

[Back](#) [Site Map](#) [Print](#)