



Series 300 – With 180 Degree Cable Clamp

Series 300 – With 180 Degree Cable Clamp

Features | Part Numbers | Dimensions

Features

Solder lug terminals with .093" x .062" (2.36mm x 1.57mm) wiring holes.

- Two-contact "Jones" connector is round, all others are rectangular.
- For use in cable-to-panel and cable-to-cable applications.
- Designed for light and medium duty.
- Plug prongs are .156" (3.96mm) wide and .047" (1.19mm) thick.
- Polarized to prevent wrong-way insertion.
- Plugs have projecting flat blades, sockets have recessed twin bellows.
- Cable clamps of zinc and clear irridite-plated steel used for strain relief.
- UL Recognized-file E170218 (UL 1977), E130965 (UL1863).
- CSA-LR31996.

Materials

- Insulation Material:
- Molded monoblock, general purpose phenolic, black UL94V-1
- Contact Material:
- Plug: Brass Socket: Phosphor bronze
- Contact Plating: Cadmium – RoHS parts Matte Tin
- Operating Temperature: Up to +105°C
- Hood Material: UL 94V-0 rated thermoplastic

Electrical

- Operating Voltage: 250 VAC RMS maximum
- Current Rating: 10 Amps
- Contact Resistance: 16 Milliohms maximum

[back to top](#)

Part Numbers

Click on any part number to see it's current stock with our distributors.

No. of Contacts	Catalog No. Plug	RoHS Cat. # Plug	Catalog No. Socket	RoHS Cat. # Skt
2	P-302-CCT	P-302H-CCT	S-302-CCT	S-302H-CCT
3	P-303-CCT	P-303H-CCT	S-303-CCT	S-303H-CCT
4	P-304-CCT	P-304H-CCT	S-304-CCT	S-304H-CCT
6	P-306-CCT	P-306H-CCT	S-306-CCT	S-306H-CCT
10	P-310-CCT		N/A	
15	P-315-CCT		S-315-CCT	
18	P-318-CCT		S-318-CCT	
21	P-321-CCT		S-321-CCT	
24	P-324-CCT		S-324-CCT	
27	P-327-CCT		S-327-CCT	
33	P-333-CCT		S-333-CCT	

[back to top](#)

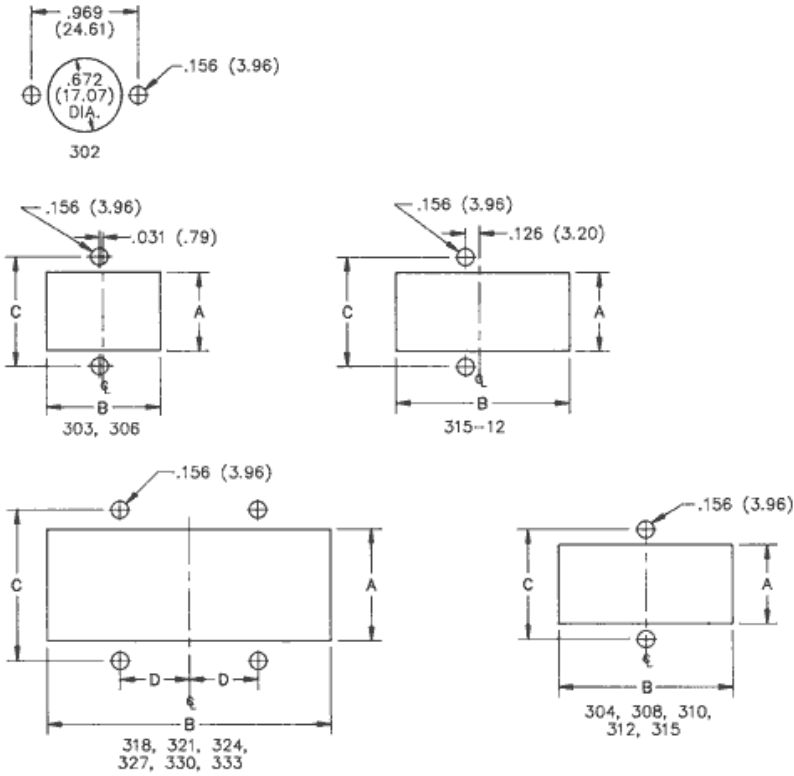
Dimensions

No. of Contacts	A±.016		B±.016		C±.031		G		Cable "D" Opening	
	(.41mm)		(.41mm)		(.79mm)					
	in	mm	in	mm	in	mm	in	mm	in	mm
2	.691	17.55	-	-	.953	24.21	.313	7.95	.313	7.95
3	1.034	26.26	.472	11.99	.953	24.21	.344	8.74	.250	6.35
4	.786	19.96	.724	18.39	.953	24.21	.453	11.51	.375	9.53
6	1.036	26.31	.724	18.39	.078	27.38	.469	11.91	.438	11.13
10	1.592	40.44	.720	18.29	1.203	30.56	.359	9.12	.500	12.70

No. of Contacts	E		L		Cable Opening	Polarizing Pin	
	mm	in	mm	in			
15	2.514	63.85	1.795	45.59	.563	14.30	NO
18	2.826	71.78	2.107	53.52	.563	14.30	NO
21	3.139	79.73	2.420	61.47	.625	15.88	NO

24	3.451	87.66	2.732	69.39	.625	15.88	14
27	3.764	95.61	3.045	77.34	.625	15.88	14
33	4.389	111.48	3.670	93.22	.750	19.05	17

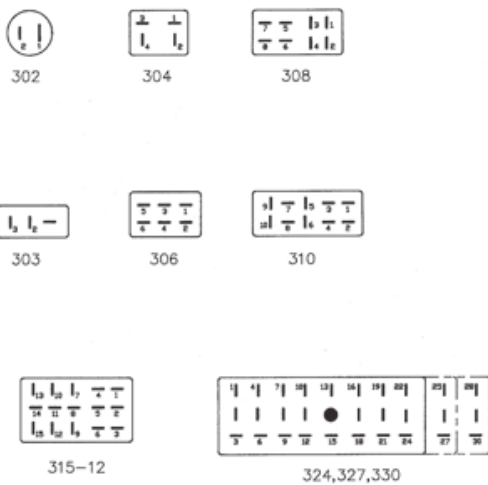
Mounting Dimensions



Reference	A		B		C		D	
	in	mm	in	mm	in	mm	in	mm
303	.453	11.51	1.016	25.81	.750	19.05	-	-
304	.719	18.26	.781	19.84	1.000	25.40	-	-
306	.719	18.26	1.031	26.19	1.000	25.40	-	-
310	.719	18.26	1.578	40.08	1.000	25.40	-	-
312	.953	24.21	1.266	32.16	1.250	31.75	-	-
315	1.016	25.81	1.641	41.68	1.375	34.93	-	-
318	1.016	25.81	1.953	49.61	1.375	34.93	.625	15.88
321	1.016	25.81	2.266	57.56	1.375	34.93	.469	11.91
324	1.016	25.81	2.578	65.48	1.375	34.93	.625	15.88
327	1.016	25.81	2.891	73.43	1.375	34.93	.781	19.84
333	1.016	25.81	3.516	89.31	1.375	34.93	1.094	27.79

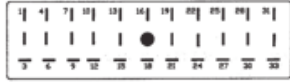
NOTE: For 300 Series 2 through 33 contact angle bracket connectors. All mounting holes are .156" (3.96mm) dia. Maximum chassis thickness is .063" (1.59mm) for bottom mounting. Mounting holes are located on center line unless otherwise shown.

Polarizing Pattern





315,318,321



333

[back to top](#)

[Markets](#) [Products](#) [About](#) [Literature](#) [Environmental Initiatives](#) [News](#) [Sales Contacts](#) [Employment](#) [Contact Us](#) [Sitemap](#) [Rep Portal](#)

© 2014 Cinch Connectors [Legal](#) [All Rights Reserved](#) [Sales Terms & Conditions](#) [European Sales Terms & Conditions](#) [Purchasing Terms & Conditions](#)

[Stock Check](#) [Bel Fuse](#) [Fibreco](#) [GigaCom](#) [Array Connector](#) [Cinch Connectivity Solutions](#)



Sign Up for Cinch News